



www.v-p-k.ru

+7 (800) 777-83-75
бесплатный

Инструкция по эксплуатации

Компрессор COMPRAG ADX160

Цены на товар на сайте:

<https://www.v-p-k.ru/adsorbtsionnye-osushiteli-comprag/adx-160/>

© 2016 Comprag ®. All rights reserved.

No part of the text and /or diagram may be reprinted or used without the prior written permission of Comprag.

The manufacturer reserves the right to make changes to a product design in order to enhance its technological and operational parameters without notifying the user.

The product type may considerably differ to that displayed in documents.




Contents

Page


1. Safety guidelines	4
1.1 Symbols used in the instructions	4
1.2 General safety guidelines	4
1.3 Safety precautions for start-up	5
1.4 Safety precautions during operation	6
1.5 Safety precautions for maintenance and repair	7
2. Design and mechanism	8
2.1 Technical information.	8
2.2 Function	9
2.3 Functionality	10
2.4 Correction factors for calculating capacity	11
3. Start up	12
3.1 Lifting	12
3.2 Dimensions	12
3.3 Preparation of facility	13
3.4 Connection to the compressed airline	13
3.5 Pneumatic circuit diagram	14
3.6 Connection to power supply and electric circuit diagram	14
4. Usage	15
4.1 Control panel	15
4.2 Switching on/off of equipment	15
5. Adjustment and maintenance	16
5.1 Adjustment for specific operating conditions	16
5.2 In-service testing	17
5.3 Changing adsorbent	17
6. Fault handling	18
6.1 Possible faults.	18
7. Storage and disposal	19
7. 1 Storage	19
7. 2 Disposal	19


1. Safety guidelines

1.1 Symbols used in the instructions.

	Lethal hazard.
	Warning.
	Attention.

1.2 General safety guidelines.

	Carefully familiarise yourself with the technical documentation, operating instructions and safety guidelines. Most accidents associated with the use of compressor equipment occur as a result of non-compliance with safety guidelines. Prevent hazards from developing and adhere to the safety guidelines.
---	--

	The manufacturer reserves the right to make changes to a product's design without notifying the user.
---	---

1. The operator must stringently adhere to safety guidelines provided for by these instructions and local legislation!
2. When choosing between these safety guidelines and the regulations provided for by local legislation, those rules which provide for more stringent requirements shall apply.
3. Only trained maintenance personnel with the relevant level of professional training are permitted to operate, service and repair Comprag equipment
4. Compressed air flowing immediately from the compressor may contain oil and impurities and is not suitable for breathing! Compressed air has to be purified to an air purity grade

suitable for breathing, in accordance with the standards prescribed by local legislation.

5. Compressed air is an extremely hazardous energy source. Compressed air must not be used for unintended purposes! Do not use it to clean clothing and footwear and never point compressed air hoses at people and animals! When using air to clean equipment, take extra caution and wear safety goggles!

6. All maintenance, repair, setup and installation work etc. must be performed while the equipment is turned off, disconnected from the power source, with compressed-air hoses disconnected from the equipment, and with the use of safety goggles! Ensure that equipment is disconnected from the compressed air system and is not under pressure.


1.3 Safety precautions for start-up



The user is solely liable for injuries or damages which occur due to non-compliance with safety guidelines during installation, operation or servicing, as well as unauthorised use of equipment!

1. Equipment must only be unloaded/loaded using the appropriate handling devices or hoisters. Equipment must not be manually lifted or moved. Do not leave equipment suspended. Use a helmet during unloading operations.
2. Arrange the equipment in a dry and clean facility which provides shelter from precipitation. The facility must be well ventilated, and forced ventilation should be provided if necessary.
3. Worn, damaged or spoiled compressed-air hoses should not be used. Ensure that hoses correspond to the equipment in terms of nominal diameter and working pressure.
4. When using several compressor stations in a system, each compressor must have a manually operated valve for cutting off any of the compressors in the case of emergency.
5. Explosive and fire-hazardous admixtures such as solvent vapours and carbon dust etc. must not be released into the atmosphere.
6. Ensure unrestricted access to the compressed-air hose from the compressor. Do not clutter it and do not store flammable materials in its immediate vicinity.
7. Do not pinch or deform the compressed-air feed hoses.
8. Do not cover holes used to provide equipment with air for cooling. Ensure the facility is well ventilated.
9. When using remote control, the equipment must give a legible and clear warning of this: 'ATTENTION: this machine is being controlled remotely and may start operating without warning!' An operator who is remotely controlling equipment must ensure that no installation or other work is being performed with the equipment at that moment. Once the equipment is turned off remotely, the operator must ensure that the equipment is actually turned off!


10. Equipment must be earthed. Provide short-circuit protection. The starting knife switch must be in the immediate vicinity of the equipment and protect against unauthorised start-up.

	<p>The user bears full responsibility for compliance with the operating conditions of the electrical motor installed in the equipment. Equipment must be used with protection devices. The protection devices must protect the electric motor from short circuits, overloading (systematic and start-up) and open-phase conditions. Installation of protection devices is the responsibility of the user.</p>
---	---


11. There must be an information plate affixed next to the control panel on equipment with an independent control system featuring an automatic restart function: 'ATTENTION: This machine may start operating without warning!'

12. Any tanks and vessels working under pressure must be fitted with safety-relief valves! Unauthorised installation, disassembly or adjustment of attached safety-relief valves is not allowed.

1.4 Safety precautions during operation.

	<p>The user is solely liable for injuries or damages which occur due to non-compliance with safety guidelines during installation, operation or servicing, as well as unauthorised use of equipment!</p>
---	--

1. Ensure that hoses correspond to the equipment in terms of nominal diameter and working pressure. Check the attachment of every hose coupling before start-up. An insecurely fastened hose may cause serious injury.
2. Never turn on equipment if you suspect the presence of highly flammable impurities in the air!
3. The operator remotely controlling equipment must ensure that no installation or other work is being performed with the equipment at that moment! An information plate must be affixed to the equipment in relation to this: 'ATTENTION: this machine is being controlled remotely and may start operating without warning!'
4. An operator is not allowed to operate equipment if the operator is fatigued, in a state of intoxication from alcohol, drugs or medicine that reduces the body's reaction time.
5. The equipment must not be operated if parts of the casing have been removed. Doors or panels may be opened for short durations for inspection and scheduled checks. It is advisable to wear hearing protection.

	<p>In some types of equipment, open doors or removal of panels during operation may lead to overheating.</p>
---	--

6. Personnel in conditions or a facility where the sound pressure level reaches or exceeds 90 dB (A), must wear ear protectors.
7. If the air used for cooling equipment is used while the facility is being heated, undertake measures for it to be filtered so that it is suitable for breathing.
8. Regularly check that:
 - safety devices and attachments are in place;
 - all hoses and pipes are in good condition and sealed;
 - there are no leaks;
 - brackets and structural components are tightened;
 - all electrical cables and contacts are in good condition and safe to use;
 - safety devices are fully functional and there is no contamination etc;
 - all structural components are in working order, with no signs of wear and tear.

1.5 Safety precautions for maintenance and repair



The user is solely liable for injuries or damages which occur due to non-compliance with safety guidelines during installation, operation or servicing, as well as unauthorised use of equipment!

1. Only original spare parts and ancillary items may be used. Using spare parts from other manufacturers may lead to unpredictable results and consequently accidents.
2. When performing installation and repair work, always wear goggles!
3. Before connecting or disconnecting equipment, disconnect it from the main pneumatic system. Ensure that the hoses aren't under pressure!
4. Before beginning installation or other work, ensure that equipment is not pressurised. Installation work must not be carried out on equipment under pressure.
5. All maintenance work should be carried out only when the temperature of all structural elements falls to room temperature.
6. Never use highly flammable solvents or carbon tetrachloride for cleaning structural elements. When wiping, take precautions against the poisonous vapours of cleaning fluids.
7. When carrying out installation and repair work, an information plate should be affixed to the control panel to warn against unauthorised start-up. For example, "Do not turn on. Personnel operating!"
8. The operator remotely controlling equipment must ensure that no installation or other work is being performed with the equipment at that moment! An information plate must be affixed to the equipment in relation to this: See 1.3.9.
9. Maintain cleanliness in the facility where the equipment is installed. Close open inlets and outlets during installation with dry clothes or paper to prevent rubbish entering the equipment.
10. Welding or other similar operations must not be carried out in the immediate vicinity of the equipment and vessels under pressure.
11. If there is any suspicion of overheating, combustion or other emergency, turn off the equipment. Immediately disconnect it from the power supply. Do not open the doors of equipment until

the temperature falls to room temperature, in order to prevent burns or injury.

12. Naked flames must not be used as a light source for inspecting and checking equipment.

13. Never use caustic solvents, which may damage materials of the pneumatic system

14. After performing installation or other work, ensure that no instruments, rags or spare parts have been left inside the equipment.

15. Pay particular attention to the safety-relief valves. Thoroughly inspect them and remove any dust and dirt. They must not be allowed to suffer any loss in function under any circumstances. Remember that your safety depends on their functionality!

16. Before beginning work in normal mode after maintenance or repair work, check that the working pressure, temperature and other characteristics are correctly set. Ensure that all control devices are installed and functioning properly.

17. When replacing filters, separators etc., wipe away dust, dirt and oil residue from the area where they are installed with a dry cloth.

18. Protect the motor, air filter, electrical components and control components etc. from coming into contact with condensate. For instance, blow down with dry air.

19. Use protective gloves during installation and repair work in order to avoid burns and injury (for instance, during oil change).

2. Design and mechanism



Non-compliance with these instructions, use of non-original parts and absence of a warranty service coupon may invalidate the warranty.

2.1 Technical information

The product features of COMPRAG heatless adsorption compressed air dryers are given below:

Model	ADX20	ADX30	ADX40	ADX50	ADX70
Product code	14400050	14400051	14400052	14400053	14400054
Air consumption*, (m ³ /min)	2.0	3.0	4.0	5.0	7.0
Maximum working pressure, bar	10				
Max. temperature of compressed air at inlet to air dryer, °C	+55				
Min./max. ambient temperature, °C	+5/+45				
Dew point temperature, C	-40				

Voltage, (phase/V/Hz)	1/220/50				
Type of adsorbent	Desiccant - activated alumina				
Quantity of adsorbent, kg	30	45	60	75	105
Thread connection, inlet / outlet	G1'		G1 1/4'		G1 1/2'
Model	ADX90	ADX125	ADX160	ADX200	ADX250
Product code	14400055	14400056	14400057	14400058	14400059
Air consumption*, (m3/min)	9.0	12.5	16	20	25
Maximum working pressure, bar	10				
Max. temperature of compressed air at inlet to air dryer, °C	+55				
Min./max. ambient temperature, °C	+5/+45				
Dew point temperature, C	-40				
Voltage, (phase/V/Hz)	1/220/50				
Type of adsorbent	Desiccant - activated alumina				
Quantity of adsorbent, kg	135	190	240	300	375
Thread connection, inlet / outlet	G1 1/2'	G2 1/2' / G2'		G3' / G2 1/2'	

* See point 2.4

22 Function

The air dryer is designed to dry compressed air used for industrial purposes. The air dryer should not be used in facilities where there are fire or explosion hazards, or where works are being carried out which involve the discharge of substances that pose fire safety hazards (solvents, flammable vapours, spirits etc.). In particular, the air dryer should not be used for producing breathable air. Such use is allowed if compressed air is purified to an air purity grade suitable for breathing, in accordance with the standards prescribed by local legislation.

Equipment must only be used according to its designated purpose. It is considered improper and unreasonable to use the equipment for other purposes. The manufacturer bears no liability for any damage caused that is due to improper or unreasonable use of equipment.

2.3 Functionality.

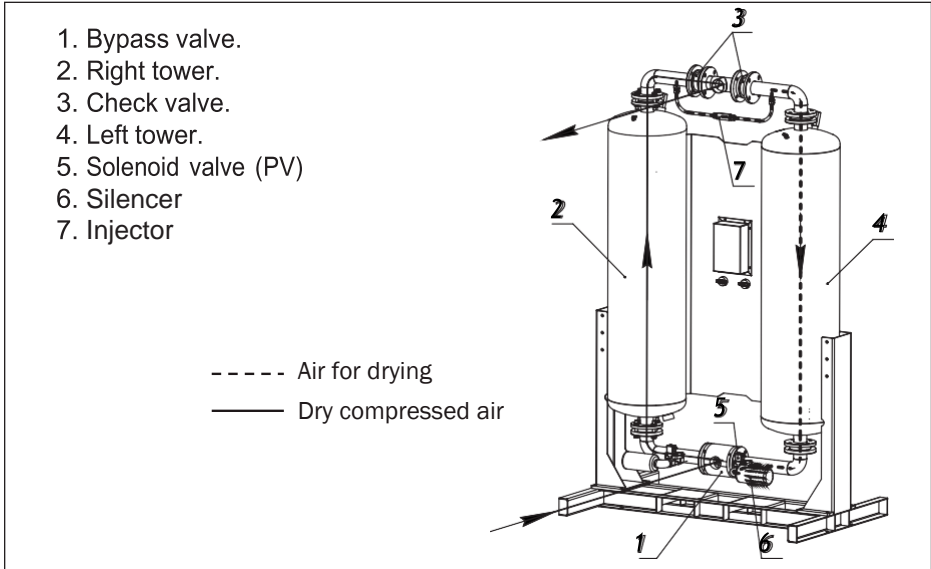


Fig. 2.3 Flow chart of air dryer

Cyclogram for the opening and closing of electromagnetic pneumatic valves (PV) 5.

PV4					
PV2					
ADX 20 - ADX 90	15nsäeëc	270nsäeëc	30nsäeëc	270nsäeëc	30nsäeëc
ADX 125 - ADX 250	30nsäeëc	240nsäeëc	60nsäeëc	240nsäeëc	60nsäeëc
	Delay	A	B	C	D

PV4 – solenoid valve of left tower

PV2 – solenoid valve of right tower

Both solenoid valves, PV2 and PV4, are closed during start-up.

Phase A. Solenoid valve PV2 is actuated and the pressure falls in tower 2 to atmospheric pressure. Bypass valve 1 switches to closing tower 2 (as there is no pressure in this tower). The inflow of compressed air is fed into tower 4, where adsorbent material adsorbs the moisture to the required set amount.

Some of the dry air passes through the injector 7 from tower 4 to tower 2, where it expands.

The (dried and expanded) inlet air passing through tower 2 dries the adsorbent material; moisture is ejected into the atmosphere via solenoid valve PV2 and silencer 6. When the phase is complete, the adsorbent in tower 2 is fully regenerated.

Phase B. Solenoid valve PV2 closes, and injector 7 is used to increase the pressure in tower 2 to working pressure.

Phase C. Solenoid valve PV4 is actuated and the pressure falls in tower 4 to atmospheric pressure. Bypass valve 1 switches to closing tower 4 (as there is no pressure in this tower).

The inflow of compressed air is fed into tower 2, where adsorbent material adsorbs the moisture to the required set amount.

Some of the dry air passes through the injector 7 from tower 2 to tower 4, where it expands. The (dried and expanded) inlet air passing through tower 4 dries the adsorbent material. Moisture is ejected into the atmosphere via solenoid valve PV2 and silencer 6. When the phase is complete, the adsorbent in tower 4 is fully regenerated.

Phase D. Solenoid valve PV4 closes, and injector 7 is used to again increase the pressure in tower 4 to working pressure.

24 Correction factors for calculating capacity.

All calculations in the design and manufacture of air dryers are given for nominal (standard) conditions. According to ISO 7183, the conditions are as follows: working pressure 7 bar, temperature of compressed air at inlet to air dryer +35 °C. Therefore, when choosing an air dryer, correction factors are used by factoring in any difference between the nominal and actual conditions.

Working pressure, bar	4	5	6	7	8	9	10
Factor F1	0.6	0.75	0.88	1.00	1.1	1.17	1.25

Correction factor according to temperature of compressed air at inlet							
Temperature of compressed air at inlet, °C	+25	+30	+35	+40	+45	+50	
Factor F2	1.15	1.1	1.00	0.91	0.84	0.79	

When these factors are used for the necessary air dryer calculation, we find that the actual capacity, P, is equal to: $P = P_{\text{nominal}} / (F1 \times F2)$



When choosing an adsorption air dryer, always bear in mind that the air consumption for regeneration is a minimum 15%.

3. Start up

3.1 Lifting

Visually inspect for damages to packaging, and if there are no damages, then place the unit near the site chosen for installation and unpack the unit. Equipment must only be moved using the appropriate handling devices or hoisters.

Equipment must not be manually lifted or moved. Even when packaged, store the equipment in a place shielded from weather conditions.

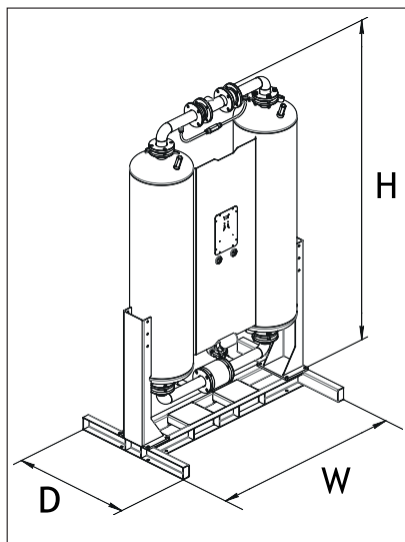
Handle with care. Heavy impacts (bumps and falls) may cause irreparable damage.



The presence of dents, chips and other damages may invalidate the warranty.

3.2 Dimensions

The appearance of the air dryer is shown in figure 3.2.



Model	Air dryer			
	Height H, mm	Width W, (mm)	Depth D, (mm)	Weight, kg
ADX20	1220	800	600	90
ADX30	1500			111
ADX40	1850		800	175
ADX50	2130			205
ADX70	1820	955	800	250
ADX90	2120			310
ADX125	2335	1275	1000	496
ADX160	2325			565
ADX200	2330	1435		720
ADX250	2645			805

Fig. 3.2 Air dryer dimensions.

3.3 Preparation of facility.



Installing the dryer in unsuitable conditions may lead to diminished performance due to overload. Such instances are not covered by warranty.

The minimum requirements for installation are as follows:

- Choose a clean, dry and dust-free facility which is shielded from the outdoors.
- The floor should be level, horizontal and support the weight of the dryer.
- The minimum ambient temperature is +5 °C.
- The maximum ambient temperature is +45 °C.
- There should be clearance provided on all sides of the dryer to allow access for carrying out maintenance work.

No floor fastening is required for the dryer.

3.4 Connections to compressed air line

All work associated with connecting compressor equipment must be carried out with the pneumatic system not under pressure.

Connecting to the compressed air line should only be carried out by a qualified specialist. The temperature and amount of air entering the dryer must correspond to the values given in table 2.1.



Exceeding the permitted pressure may lead to injury of the operator and damage to equipment. The user shall bear responsibility for the consequences of exceeding pressure beyond the value given on the dryer's identification plate.

When using this item, the pneumatic system must be fitted with a prefilter for cleaning the compressed air of oil (0.01 mg/m² permitted oil content) and an outlet (dust) filter for protecting from adsorbent dust.

Comprag AF-series filters are recommended for installation.

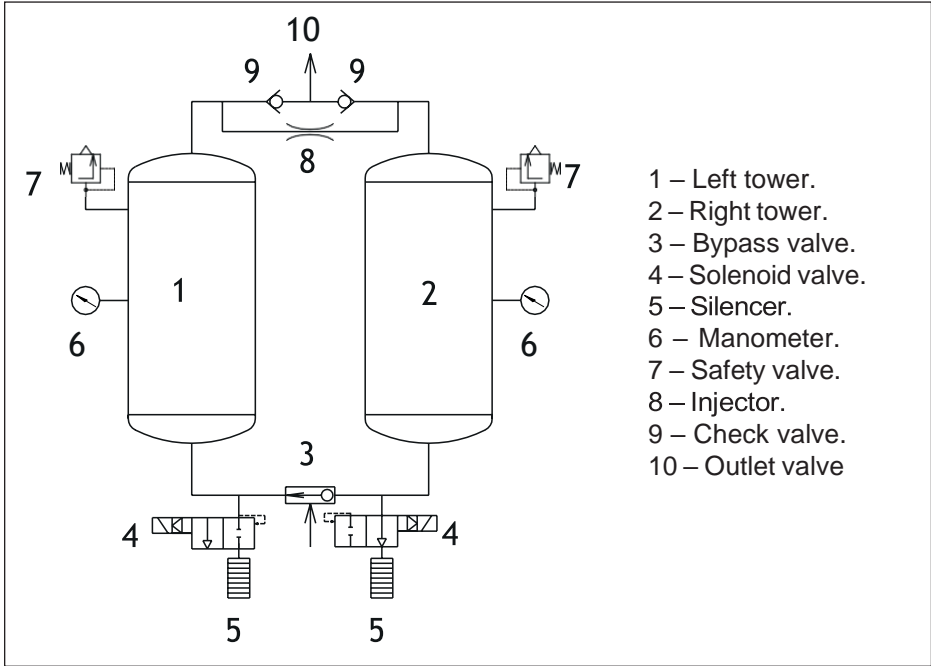
Please contact your dealer for help in choosing the right filter.



Using the adsorption air dryer without the specified filters may cause the adsorbent to lose its functional characteristics or cause blockage of the equipment that is consuming the compressed air. The user must install filters. Claims are not covered by warranty and are disregarded in cases where such filters are not used.

Dimensions and performance characteristics of hoses and valves must correspond to the volume and pressure of supplied air. Underestimation may lead to depressurization of the system and cause injury to the operator and equipment damage.

3.5 Pneumatic circuit diagram



3.6 Connection to power supply and electric circuit diagram

Figure 3.6.1 displays an electrical schematic diagram for dryers.

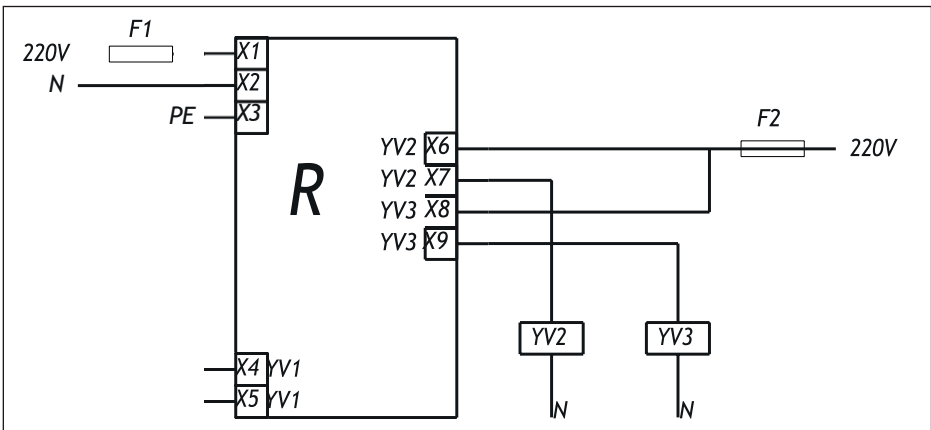


Figure 3.6.1. Electrical schematic diagram

Only qualified personnel should connect equipment to an electric power supply. Before connecting, ensure that the voltage and frequency in the power supply network correspond to the values in table 2.1. The permissible voltage variation is $\pm 10\%$.

4. Usage

4.1 Control panel

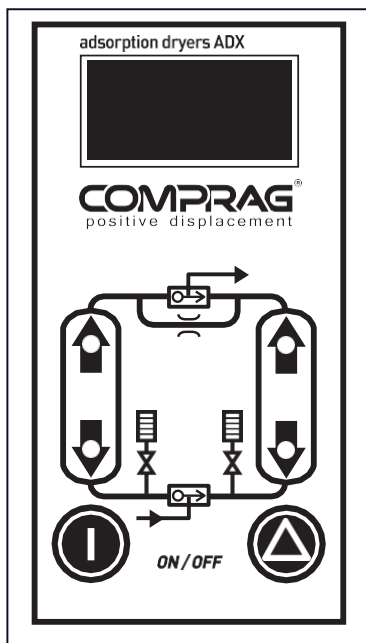


Fig. 4.1. Control panel

On/off – turning on/off of automatic tower switching.
Red Indicator Is lit – drying process occurring in tower.
Green Indicator Is lit – regeneration process occurring in tower.
Screen displays time until cycle switch.

The dryer operates entirely in automatic mode as far as the control panel is concerned and does not require any adjustment.

4.2 Switching on/off of equipment

	Ensure that the operating parameters correspond to the nominal values given in table 2.1 (power frequency and voltage, pressure and temperature of compressed air, ambient temperature etc.).
--	---

If the equipment is delivered in winter, keep the equipment at room temperature for no fewer than eight hours after unpacking and before turning it on. This is to ensure that the components are warm and avoids condensate forming.



The first start-up should be performed only by a qualified specialist. The user is solely responsible for properly and safely operating the equipment.

The air dryer is started by pressing the ON (button) (see figure 4.1). It is stopped by pressing the OFF button.

When starting the dryer for the first time upon delivery, the following procedures need to be followed in order to reach the required dew point.

- Connect the dryer to the pneumatic system.
- Close the outlet valve.
- Turn on the dryer and wait no fewer than ~ 50 switching cycles of the towers.

The device is ready for operation.

Following a break in operating the dryer for more than twelve hours, it is advised that the procedures described for turning on the dryer for the first time be repeated. However, only two switching cycles of the towers need to be waited.



The dryer must not be used when turned off. This will inevitably diminish the desiccating properties of the adsorbent.

5. Adjustment and maintenance

5.1 Adjustment for specific operating conditions

In standard delivery, the dryer is supplied with an injector for operating in conditions with an inlet temperature of +35 °C and pressure (on manometer) of 8 bar. This also includes an additional injector for 10-bar pressure.



For operating the dryer in other operating conditions or with a different dew point, additional injectors will need to be purchased. This is to ensure accurate metering of the dried air flow.

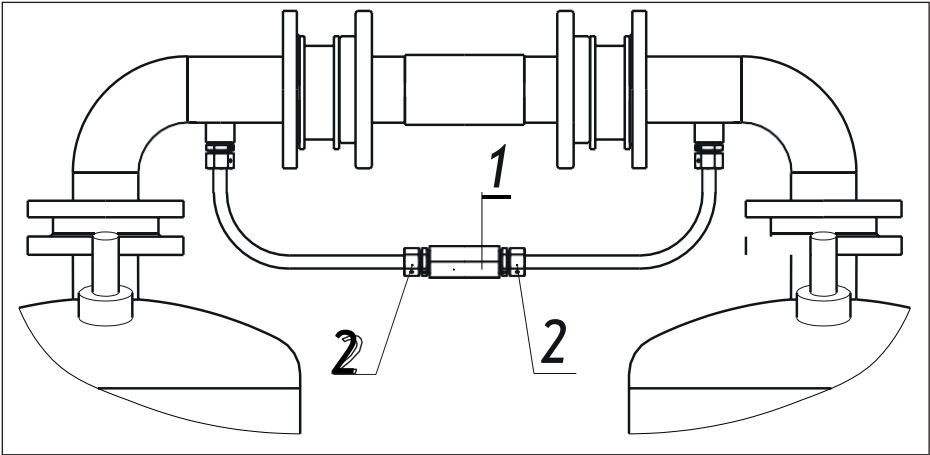


Fig. 5.1

In order to change the injector (1), unscrew the fittings (2). Ensure the connections are hermetically tightened upon changing.

5.2 In-service testing

The switching of cycles and monometer readings should be monitored every day.

Once per month, the injector (8) and silencer (5), as given in figure 3.5, should be disassembled for inspection and cleaned of oil and dust if necessary.



If these procedures aren't carried out, then the dryer may fail to operate properly, which will lead to noticeable deterioration in the quality of air at the outlet of the dryer.

5.3 Checking drive belt



Deterioration of adsorbent can lead to reduced performance of the air dryer. If you are unable to monitor the quality of dried air, then you should change the adsorbent every 3 years.

Under standard conditions, for which the adsorption compressed air dryer is designed, the adsorbent has a minimum service life of three years before it loses its moisture-adsorbing properties.

The following steps should be carried out to change the dryer:

- Ensure that the towers are not under pressure and disconnect the dryer from the system.
- Unscrew the bleed plug.
- Fully remove the adsorbent from the towers.
- Screw on the bleed plug.
- Unscrew the filling plug.
- Fill both towers with original adsorbent, as per table 2.1
- Screw on the filling plug.
- Carry out the start-up procedure as for the first start-up, as per point 4.2.

6. Fault handling

6.1 Possible faults

Fault	Possible cause	Solution
The air dryer will not start.	There is no electrical voltage.	The voltage of the power supply line, the state of fuses and the main switch should be inspected.
	Failure of electronic circuit board.	Replace the electronic circuit board.
Purge air doesn't exit.	Failure of solenoid valve.	Check for signals being output to solenoid valves. Replace, if necessary.
	Failure of electronic circuit board.	Replace the electronic circuit board.
	Injector / silencer blocked.	Remove injector / silencer. Purge with compressed air. Replace, if necessary.
Air flows out in very small amounts.	Injector / silencer blocked.	Remove injector / silencer. Clean away dirt / oil / dust.
There is no change in the tower cycles.	Check the functioning of the solenoid valves.	Check for signals being output to solenoid valves. Replace, if necessary.
	There is no electrical voltage.	The voltage of the power supply line, the state of fuses and the main switch should be inspected.
	Failure of electronic circuit board.	Replace the electronic circuit board.
	Mechanical problem in the intake valve.	Remove the intake valve and check the free play of the bypass washer.

Presence of condensate in the pipeline.	The air feed is too high.	Check that the operating conditions conform with requirements of the technical documentation.
	Low air pressure at inlet.	
	High temperature of air at inlet.	
	There is no change in the tower cycles. Insufficient supply of purge air. Pressure in tower during regeneration mode (maximum permissible pressure, Pmax., is 0.05 MPa).	Look at all aforementioned means of handling faults.
	Service life of adsorbent.	Adsorbent replacement.

7. Storage and disposal


7.1 Storage of dryers

Dryers should be kept in a dry facility at a temperature between -10° and +45° C with max. 75% relative humidity. The facility should preclude the presence of precipitation.

7.2 Disposal

When dismantling the air dryer for disposal, it is advised that the components are divided according to their constituent materials. You are advised to following safety instructions for the recycling of each type of material.

Particular attention should be paid to recycling adsorbent.

	Do not release adsorbent into the environment!
--	--

The adsorbent contains oil particles from the compressor.

Do not release adsorbent into the environment. Remove it from the air dryer, as per point 5.3, and dispose of it for recycling.

© 2016 Comprag ®. Все права защищены.

Перепечатка текста и / или использование графики. допускается только с письменного разрешения Comprag®.




Производитель оставляет за собой право без уведомления потребителя вносить изменения в конструкцию изделий для улучшения их технологических и эксплуатационных параметров.

Вид изделий может незначительно отличаться от представленных на изображениях.


Beschreibung	Seite
1 Sicherheitshinweise	22
1.1 In den Anweisungen verwendete Piktogramme	22
1.2 Allgemeine Sicherheitshinweise	22
1.3 Sicherheitsvorkehrungen für die Inbetriebnahme	23
1.4 Sicherheitsvorkehrungen während des Betriebs	24
1.5 Sicherheitsvorkehrungen für Wartung und Instandsetzung	25
2 Design und Funktion	26
2.1 Technische Daten	26
2.2 Funktion	28
2.3 Funktionsweise	28
2.4 Korrekturfaktoren für die Berechnung der Leistung	30
3 Inbetriebnahme	30
3.1 Anheben	30
3.2 Abmessungen	31
3.3 Vorbereitung des Standorts	31
3.4 Anschlüsse an das Druckluftnetz	32
3.5 Druckluftschaltplan	33
3.6 Anschluss an die Spannungsversorgung und Elektroschaltplan	33
4 Verwendung	34
4.1 Schalttafel	34
4.2 Das Gerät ein-/ausschalten	34
5 Einstellung und Wartung	35
5.1 Einstellung für bestimmte Betriebsbedingungen	35
5.2 Prüfen während des Betriebs	36
5.3 Austauschen des Adsorptionsmittels	36
6 Fehlerbehebung	37
6.1 Mögliche Fehler	37
7 Lagerung und Entsorgung	38
7.1 Lagerung	38
7.2 Entsorgung	38


1. Sicherheitsrichtlinien

1.1 In den Anweisungen verwendete Piktogramme

	Lebensgefahr.
	Warnung.
	Achtung.

1.2 Allgemeine Sicherheitshinweise

	Machen Sie sich sorgfältig mit der technischen Dokumentation, der Betriebsanleitung und den Sicherheitshinweisen vertraut. Die meisten Unfälle bei der Verwendung von Kompressoranlagen geschehen infolge der Nichtbeachtung der Sicherheitshinweise. Verhindern Sie das Entstehen von Gefahren und beachten Sie die Sicherheitshinweise..
---	--

	Der Hersteller behält sich das Recht vor Änderungen am Produktdesign vorzunehmen, ohne den Anwender zu informieren.
---	---

1. Der Betreiber hat die in diesen Anweisungen sowie in den geltenden gesetzlichen Vorschriften enthaltenen Sicherheitsrichtlinien genauestens einzuhalten!
2. Bei Überschneidungen der Sicherheitsrichtlinien mit der örtlichen Gesetzgebung gelten stets die strengeren Vorschriften.
3. Nur Wartungspersonal mit entsprechender Berufsausbildung ist es gestattet, Compaq-Anlagen zu bedienen, zu warten und zu reparieren.
4. Druckluft, die direkt vom Kompressor kommt, kann Öl und Verunreinigungen enthalten und ist nicht als Atemluft geeignet! Druckluft muss in Übereinstimmung mit den geltenden gesetz-

lichen Vorschriften auf einen zur Atmung geeigneten Luftreinheitsgrad gebracht werden.

5. Druckluft ist eine äußerst gefährliche Energiequelle. Druckluft darf niemals unsachgemäß verwendet werden! Verwenden Sie niemals Druckluft, um Kleidung oder Schuhe zu reinigen und zielen Sie mit Druckluftschläuchen niemals auf Menschen oder Tiere! Bei der Reinigung von Geräten mit Druckluft ist äußerste Vorsicht geboten. Tragen Sie dabei immer eine Schutzbrille!

6. Wartungs-, Reparatur-, Aufbau-, und Montagearbeiten dürfen nur durchgeführt werden, wenn das Gerät ausgeschaltet ist, von der Stromquelle getrennt ist, die Druckluftschläuche vom Gerät getrennt sind und beteiligte Personen Schutzbrillen tragen. Stellen Sie sicher, dass die Anlage vom Druckluftsystem getrennt ist und nicht unter Druck steht.

1.3 Sicherheitsvorkehrungen für die Inbetriebnahme



Der Benutzer trägt die volle Verantwortung für Verletzungen oder Schäden, die während der Montage, des Betriebs, der Wartung sowie aufgrund von unberechtigter Nutzung der Anlage auftreten..

1. Anlagen dürfen ausschließlich mit entsprechenden Handhabungsgeräten oder Kränen auf-/abgeladen werden. Anlagen dürfen nicht von Hand angehoben oder bewegt werden. Anlagen niemals an Hebezeugen o. Ä. hängen lassen. Beim Abladen immer einen Helm tragen.

2. Stellen Sie die Anlagen in einem trockenen und sauberen Gebäude auf, wo sie vor Niederschlag geschützt sind. Das Gebäude muss ausreichend und bei Bedarf durch Fremdbelüftung belüftet sein.

3. Abgenutzte, beschädigte oder defekte Druckluftschläuche dürfen nicht verwendet werden. Stellen Sie sicher, dass die verwendeten Schläuche hinsichtlich Durchmesser und Betriebsdruck für die jeweiligen Geräte geeignet sind.

4. Sind in einem System mehrere Kompressorstationen vorhanden, benötigt jeder Kompressor ein von Hand betätigtes Ventil zum Abschalten der einzelnen Kompressoren für Notfälle.

5. Explosive und leicht entzündliche Substanzen wie Lösungsmitteldämpfe, Kohlenstaub etc. dürfen keinesfalls in die Atmosphäre freigesetzt werden.

6. Sorgen Sie für ungehinderten Zugang zum Druckluftschlauch vom Kompressor. Der Schlauch sollte nicht verdeckt sein und es dürfen keine brennbaren Materialien in unmittelbarer Nähe gelagert werden.

7. Druckluftschläuche dürfen nicht gequetscht oder verformt werden.

8. Lüftungsöffnungen von Anlagen dürfen nicht abgedeckt werden. Achten Sie darauf, dass das Gebäude gut belüftet ist.

9. Bei Verwendung einer Fernsteuerung muss folgende Warnung gut sichtbar und lesbar am Gerät vorhanden sein: „ACHTUNG: Diese Maschine ist ferngesteuert und kann ohne Vorwarnung anlaufen!“ Ein Bediener, der das Gerät fernsteuert, muss sicherstellen, dass zu dem Zeitpunkt keine Montage- oder anderen Arbeiten an der Anlage durchgeführt werden. Wurde das Gerät per Fernsteuerung abgeschaltet, muss der Bediener sicherstellen, dass das Gerät auch tatsächlich ausgeschaltet ist!

10. Anlagen müssen geerdet sein. Kurzschlusschutzvorrichtungen müssen vorhanden sein. Der Not-Aus-Taster muss sich in unmittelbarer Nähe des Geräts befinden und gegen unberechtigte Inbetriebnahme schützen.



Der Benutzer trägt die volle Verantwortung für den ordnungsgemäßen Betrieb des in der Anlage vorhandenen Elektromotors. Anlagen sind nur mit entsprechenden Schutzvorrichtungen zu betreiben. Die Schutzvorrichtungen müssen den Elektromotor vor Kurzschlüssen, Überlast (systematisch und bei der Inbetriebnahme) und Phasenausfall schützen. Die Montage von Schutzvorrichtungen liegt in der Verantwortung des Benutzers.

11. Bei Geräten mit einem unabhängigen Steuersystem mit automatischer Neustartfunktion muss neben dem Bedienfeld folgender Hinweis stehen: „ACHTUNG: Diese Maschine kann ohne Vorwarnung anlaufen!“
12. Sämtliche Tanks und Behälter, die unter Druck stehen, müssen mit Sicherheitsventilen ausgestattet sein! Die unerlaubte Montage, Demontage oder Verstellung der vorhandenen Sicherheitsventile ist nicht gestattet.

1.4 Sicherheitsvorkehrungen während des Betriebs



Der Benutzer trägt die volle Verantwortung für Verletzungen oder Schäden, die während der Montage, des Betriebs, der Wartung sowie aufgrund von unberechtigter Nutzung der Anlage auftreten..

1. Stellen Sie sicher, dass die verwendeten Schläuche hinsichtlich Durchmesser und Betriebsdruck für die jeweiligen Geräte geeignet sind. Überprüfen Sie die einzelnen Schlauchanschlüsse vor der Inbetriebnahme auf festen Sitz. Eine lose Schlauchverbindung kann schwere Verletzungen verursachen.
2. Anlagen niemals einschalten, wenn leicht entzündliche Luftverunreinigungen vermutet werden.
3. Der Bediener, der das Gerät fernsteuert, muss sicherstellen, dass zu dem Zeitpunkt keine Montage- oder anderen Arbeiten an der Anlage durchgeführt werden. Folgender Warnhinweis muss gut sichtbar am Gerät angebracht sein: „ACHTUNG: Diese Maschine ist ferngesteuert und kann ohne Vorwarnung anlaufen!“
4. Das Gerät darf keinesfalls bei Müdigkeit sowie nach dem Konsum von Alkohol, Drogen oder Medikamenten, die die Reaktionszeit reduzieren, verwendet werden.
5. Das Gerät darf nicht betrieben werden, wenn Teile des Gehäuses entfernt wurden. Türen oder Abdeckungen dürfen zu Prüfzwecken und für geplante Kontrollen kurzzeitig geöffnet werden. Gehörschutz wird dringend empfohlen.



Bei manchen Geräten können offene Türen oder fehlende Abdeckungen während des Betriebs zu Überhitzung führen.

6. Bei Arbeiten unter Betriebsbedingungen oder in Gebäuden, in denen der Schalldruckpegel 90 dB (A) oder mehr erreicht, muss Gehörschutz getragen werden.
7. Wird beim Heizen des Gebäudes Druckluft zur Anlagenkühlung verwendet, muss die Luft gefiltert werden, damit sie zum Atmen geeignet ist.
8. Folgende Punkte sind regelmäßig zu kontrollieren:

- Vorhandensein von Sicherheitsvorrichtungen und -geräten;
- Zustand und Dichtigkeit sämtlicher Schläuche und Rohrleitungen;
- Lecks;
- Festigkeit von Halterungen und Strukturbauteilen;
- Zustand und Sicherheit der elektrischen Leitungen und Kontakte;
- Funktionstüchtigkeit und Sauberkeit von Sicherheitsvorrichtungen;
- Funktionstüchtigkeit von Strukturbauteilen und Anzeichen von Verschleiß;

1.5 Sicherheitsvorkehrungen für Wartung und Instandsetzung



Der Benutzer trägt die volle Verantwortung für Verletzungen oder Schäden, die während der Montage, des Betriebs, der Wartung sowie aufgrund von unberechtigter Nutzung der Anlage auftreten..

1. Es sind ausschließlich original Ersatz- und Austauschteile zugelassen. Die Verwendung von Ersatzteilen anderer Hersteller kann zu unvorhersehbaren Ergebnissen und somit zu Unfällen führen.
2. Bei Montage- und Reparaturarbeiten ist stets eine Schutzbrille zu tragen!
3. Vor dem Anschließen oder Trennen von Geräten sind diese vom Hauptdruckluftsystem zu trennen. Stellen Sie sicher, dass die Schläuche nicht unter Druck stehen!
4. Vor Beginn von Montagearbeiten oder sonstigen Arbeiten muss sichergestellt werden, dass die Anlage nicht unter Druck steht. Es dürfen niemals Montagearbeiten an Anlagen, die unter Druck stehen, durchgeführt werden.
5. Sämtliche Wartungsarbeiten dürfen erst ausgeführt werden, wenn die Bauteile auf Raumtemperatur abgekühlt sind.
6. Verwenden Sie niemals leicht entzündliche Lösungsmittel oder Tetrachlormethan zur Reinigung von Strukturbauteilen. Treffen Sie entsprechende Vorkehrungen gegen giftige Dämpfe von Reinigungsmitteln.
7. Während Montage- und Reparaturarbeiten sollte ein Hinweisschild am Bedienfeld angebracht sein, das vor unbefugtem Einschalten warnt. Beispiel: „Nicht einschalten. Gefahr für Bedienpersonal!“
8. Der Bediener, der das Gerät fernsteuert, muss sicherstellen, dass zu dem Zeitpunkt keine Montage- oder anderen Arbeiten an der Anlage durchgeführt werden. Folgender Warnhinweis muss gut sichtbar am Gerät angebracht sein: Siehe 1.3.9.
9. Halten Sie das Gebäude, in dem das Gerät steht, sauber. Schließen Sie offene Zu- und

Abläufe während der Montage mit trockenen Lappen oder Papier, um zu verhindern, dass Schmutz in die Anlage gelangt.

10. Schweißarbeiten oder ähnliche Arbeiten dürfen nicht in unmittelbarer Nähe von Anlagen und Behältern, die unter Druck stehen, durchgeführt werden.

11. Schalten Sie die Anlage bei Verdacht auf Überhitzung, Entzündung sowie in anderen Notsituationen umgehend aus. Schalten Sie die Anlage sofort stromlos. Öffnen Sie Türen der Anlage erst, wenn sie sich auf Raumtemperatur abgekühlt hat, um Verbrennungen oder Verletzungen zu vermeiden.

12. Offene Flammen dürfen nicht als Lichtquelle für Inspektionen und Kontrollen der Anlage genutzt werden.

13. Verwenden Sie niemals ätzende Lösungsmittel, die Materialien im Druckluftsystem beschädigen könnten.

14. Stellen Sie nach Montagearbeiten oder anderen Arbeiten sicher, dass keine Werkzeuge, Lappen oder Ersatzteile im Gerät zurückgelassen wurden.

15. Achten Sie besonders auf die Sicherheitsventile. Kontrollieren Sie sie gründlich und entfernen Sie Staub und Schmutz. Ihre Funktion darf unter keinen Umständen beeinträchtigt sein. Denken Sie immer daran, dass Ihre Sicherheit von ihrer Funktionstüchtigkeit abhängt!

16. Stellen Sie nach Wartungs- oder Reparaturarbeiten und vor Beginn des Betriebs im normalen Modus sicher, dass der Betriebsdruck, die Temperatur und andere Werte richtig eingestellt sind. Stellen Sie sicher, dass alle Steuergeräte installiert sind und einwandfrei funktionieren.

17. Wischen Sie beim Wechsel von Filtern, Abscheidern usw. Staub-, Schmutz- und Ölablagerungen an der jeweiligen Stelle mit einem trockenen Tuch ab.

18. Schützen Sie Motor, Luftfilter, elektrische Komponenten, Steuerkomponenten usw. vor Kontakt mit dem Kondensat. Blasen Sie sie zum Beispiel mit trockener Luft ab.

19. Sicherheitshinweise für den Umgang mit Kältemittel:

- Niemals Kältemitteldämpfe einatmen. Stellen Sie sicher, dass der Arbeitsbereich gut belüftet ist. Bei Bedarf Atemschutz tragen.

- Tragen Sie immer Spezialhandschuhe. Wenn Kältemittel mit der Haut in Kontakt kommt, spülen Sie die betroffene Stelle mit reichlich Wasser ab. Wenn Kältemittel durch Kleidung hindurch mit der Haut in Kontakt kommt, versuchen Sie nicht, die Kleidung zu entfernen. Spülen Sie die Kleidung stattdessen gründlich mit klarem Wasser aus, bis das Kühlmittel ausgewaschen wurde. Suchen Sie anschließend einen Arzt auf.

20. Tragen Sie bei Montage- und Reparaturarbeiten (wie z. B. bei einem Ölwechsel) Schutzhandschuhe, um Verbrennungen und Verletzungen zu vermeiden.

2. Design und Funktion



Bei Nichtbeachtung dieser Anweisungen, bei Verwendung nicht originaler Ersatzteile und wenn kein Garantie-Servicepass vorliegt, kann der Garantieanspruch verfallen.

2.1 Technische Daten

Die Produktmerkmale der COMPRAG kaltregenerierenden Adsorptionstrockner sind nach-

folgend aufgeführt:

Modell	ADX20	ADX30	ADX40	ADX50	ADX70
Produktcode	14400050	14400051	14400052	14400053	14400054
Luftdurchsatz*, (m3/min)	2,0	3,0	4,0	5,0	7,0
Maximaler Betriebsdruck, bar	10				
Max. Drucklufttemperatur am Trocknereintritt, °C	+55				
Min./max. Umgebungstemperatur, °C	+5/+45				
Taupunkttemperatur	-40				
Spannung, (Phase(n))/V/Hz	1/220/50				
Adsorptionsmitteltyp	Trocknungsmittel - aktiviertes Aluminiumoxid				
Adsorptionsmittelmenge, kg	30	45	60	75	105
Gewindeanschluss, Eintritt / Austritt	G1"		G1 1/4"		G1 1/2"
Modell	ADX90	ADX125	ADX160	ADX200	ADX250
Produktcode	14400055	14400056	14400057	14400058	14400059
Luftdurchsatz*, (m3/min)	9,0	12,5	16	20	25
Maximaler Betriebsdruck, bar	10				
Max. Drucklufttemperatur am Trocknereintritt, °C	+55				
Min./max. Umgebungstemperatur, °C	+5/+45				
Taupunkttemperatur	-40				
Spannung, (Phase(n))/V/Hz	1/220/50				
Adsorptionsmitteltyp	Absorptionsmittel aktiviertes Aluminiumoxid				
Adsorptionsmittelmenge, kg	135	190	240	300	375
Gewindeanschluss, Eintritt / Austritt	G1 1/2"	G2 1/2" / G2"		G3" / G2 1/2"	

* Siehe Punkt 2.4

22 Funktion

Der Trockner ist für das Trocknen von Druckluft für industrielle Zwecke vorgesehen. In folgenden Einrichtungen darf der Trockner nicht verwendet werden: wo Brand- oder Explosionsgefahr besteht oder wo Arbeiten ausgeführt werden, die mit der Freisetzung von Substanzen verbunden sind, die eine Gefährdung der Brandsicherheit darstellen (Lösungsmittel, entzündliche Dämpfe, Spirituosen usw.). Insbesondere darf der Trockner nicht für die Herstellung von Atemluft verwendet werden. Diese Anwendung ist erlaubt, wenn die Druckluft auf einen für das Einatmen geeigneten Luftreinheitsgrad entsprechend den durch die lokale Gesetzgebung vorgeschriebenen Normen gereinigt wird.

Das Gerät darf nur entsprechend seinem bestimmungsgemäßen Zweck verwendet werden. Die Verwendung für andere Zwecke wird als unsachgemäß und unangemessen angesehen. Der Hersteller haftet nicht für irgendwelche Schäden aufgrund der unsachgemäßen und unangemessenen Verwendung des Geräts.

23 Funktionsweise

1. Bypassventil.
2. Adsorptionsbehälter rechts.
3. Rückschlagventil.
4. Adsorptionsbehälter links.
5. Magnetventil (PV)
6. Schalldämpfer
7. Injektor

----- Zu trocknende Luft
——— Getrocknete Luft

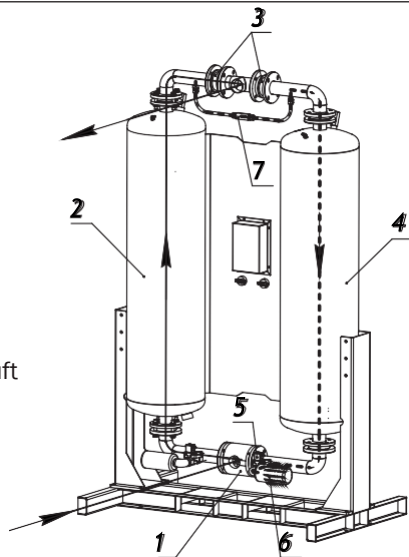


Abb. 2.3 Flussdiagramm des Trockners

Ablaufdiagramm für das Öffnen und Schließen der elektromagnetischen Pneumatikventile (PV) 5.

PV4						
PV2						
	ADX 20 - ADX 90	15nsäeëc	270nsäeëc	30nsäeëc	270nsäeëc	30nsäeëc
	ADX 125 - ADX 250	30nsäeëc	240nsäeëc	60nsäeëc	240nsäeëc	60nsäeëc
	Delay	A	B	C	D	

PV4 – Magnetventil des linken Adsorptionsbehälters

PV2 – Magnetventil des rechten Adsorptionsbehälters

Während der Inbetriebnahme sind beide Magnetventile PV2 und PV4 geschlossen.

Phase A. Magnetventil PV2 wird betätigt, sodass der Druck in Adsorptionsbehälter 2 bis auf Umgebungsdruck abfällt. Bypassventil 1 schaltet um und schließt Adsorptionsbehälter 2 (weil dieser Adsorptionsbehälter nicht unter Druck steht).

Die einströmende Druckluft wird in Adsorptionsbehälter 4 geleitet, wo das Adsorptionsmittel die Feuchtigkeit bis auf den erforderlichen eingestellten Anteil adsorbiert.

Ein Teil der trockenen Luft gelangt durch den Injektor 7 vom Adsorptionsbehälter 4 in den Adsorptionsbehälter 2, wo sie expandiert. Die (getrocknet und expandiert) eingelassene Luft durchströmt den Adsorptionsbehälter 2 und trocknet das Adsorptionsmittel; die Feuchtigkeit wird über das Magnetventil PV2 und den Schalldämpfer 6 in die Umgebung ausgeblasen. Wenn die Phase abgeschlossen ist, dann ist das Adsorptionsmittel im Adsorptionsbehälter 2 vollständig regeneriert.

Phase B. Das Magnetventil PV2 schließt und der Druck im Adsorptionsbehälter 2 wird mittels des Injektors 7 bis auf Betriebsdruck erhöht.

Phase C. Magnetventil PV4 wird betätigt, sodass der Druck in Adsorptionsbehälter 4 bis auf Umgebungsdruck abfällt. Bypassventil 1 schaltet um und schließt Adsorptionsbehälter 4 (weil dieser Adsorptionsbehälter nicht unter Druck steht).

Die einströmende Druckluft wird in Adsorptionsbehälter 2 geleitet, wo das Adsorptionsmittel die Feuchtigkeit bis auf den erforderlichen eingestellten Anteil adsorbiert.

Ein Teil der trockenen Luft gelangt durch den Injektor 7 vom Adsorptionsbehälter 2 in den Adsorptionsbehälter 4, wo sie expandiert. Die (getrocknet und expandiert) eingelassene Luft durchströmt den Adsorptionsbehälter 4 und trocknet das Adsorptionsmittel. Die Feuchtigkeit wird über das Magnetventil PV2 und den Schalldämpfer 6 in die Umgebung ausgeblasen. Wenn die Phase abgeschlossen ist, dann ist das Adsorptionsmittel im Adsorptionsbehälter 4 vollständig regeneriert.

Phase D. Das Magnetventil PV4 schließt und der Druck im Adsorptionsbehälter 4 wird mittels des Injektors 7 wieder bis auf Betriebsdruck erhöht.

24 Korrekturfaktoren für die Berechnung der Leistung

Alle Berechnungen für Design und Herstellung von Trocknern werden für Nennbedingungen (Standardbedingungen) angegeben. Die Bedingungen sind gemäß ISO 7183 wie folgt: Betriebsdruck 7 bar, Drucklufttemperatur am Trocknereintritt +35 °Ñ. Daher werden bei der Auswahl eines Trockners Korrekturfaktoren verwendet, um die jeweiligen Unterschiede zwischen den Nenn- und Ist-Bedingungen zu berücksichtigen.

Betriebsdruck, bar	4	5	6	7	8	9	10
Faktor F1	0,6	0,75	0,88	1,00	1,1	1,17	1,25

Korrekturfaktor entsprechend der Drucklufttemperatur am Eintritt							
Drucklufttemperatur am Eintritt, °Ñ	+25	+30	+35	+40	+45	+50	
Faktor F2	1,15	1,1	1,00	0,91	0,84	0,79	

Bei Verwendung dieser Faktoren für die notwendige Trocknerberechnung ergibt sich die folgende Gleichung für die Ist-Leistung P: $P = P_{\text{nenn}} / (F1 \times F2)$



Wenn Sie einen Adsorptionstrockner auswählen, denken Sie immer daran, dass für die Regeneration ein Luftdurchsatz von mindestens 15% erforderlich ist.

3. Inbetriebnahme

3.1 Anheben

Führen sie eine Sichtprüfung auf Verpackungsschäden durch. Wenn keine Schäden vorhanden sind, dann platzieren Sie die Einheit in der Nähe des für die Installation vorgesehenen Standorts und packen die Einheit aus. Das Gerät darf nur mittels der entsprechenden Handhabungsvorrichtungen oder Hubeinrichtung bewegt werden.

Das Gerät darf nicht manuelle angehoben oder bewegt werden. Auch das verpackte Gerät muss an einem vor Witterungseinflüssen geschützten Ort gelagert werden.

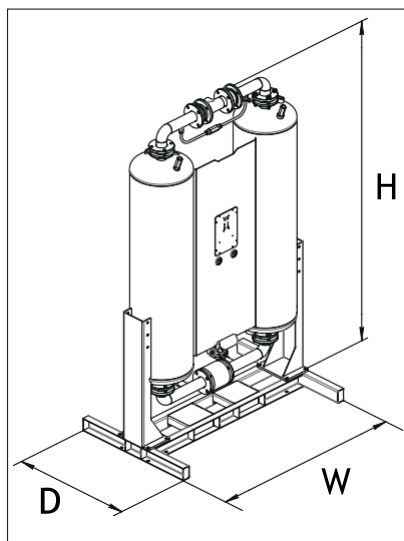
Es ist äußerste Vorsicht geboten. Schwere Einwirkungen (Stöße und Stürze) können irreparable Schäden verursachen.



Das Vorhandensein von Kratzern und Abplatzungen kann zum Verlust der Garantie führen.

3.2 Abmessungen

Das Aussehen des Trockner geht aus Abbildung 3.2 hervor.



Modell	Trockner			
	Höhe H, mm	Breite B, (mm)	Tiefe T, (mm)	Gewicht, kg
ADX20	1220	800	600	90
ADX30	1500			111
ADX40	1850		800	800
ADX50	2130	205		
ADX70	1820	955		800
ADX90	2120		310	
ADX125	2335	1275	1000	496
ADX160	2325	1335		565
ADX200	2330	1435		720
ADX250	2645			805

Abb. 3.2 Lufttrockner, Abmessungen

3.3 Vorbereitung des Standorts



Das Installieren des Trockners unter ungeeigneten Bedingungen kann zu verminderter Leistung aufgrund von Überlast führen. Solche Umstände sind durch die Garantie nicht abgedeckt.

Die Mindestanforderungen für die Installation sind wie folgt:

- Wählen Sie einen sauberen und staubfreien, nach außen abgeschirmten Standort.
- Der Fußboden muss eben und horizontal sein und für das Gewicht des Trockners ausgelegt sein.
- Die minimale Umgebungstemperatur beträgt +5 °C.
- Die maximale Umgebungstemperatur beträgt +45 °C.
- Auf allen Seiten des Trockners ist ein für das Ausführen von Wartungsarbeiten ausreichender Abstand vorzusehen.

Für den Trockner ist keine Befestigung am Boden erforderlich.

3.4 Anschlüsse an das Druckluftnetz

Alle mit dem Anschließen von Kompressoranlagen im Zusammenhang stehenden Arbeiten müssen bei drucklos geschaltetem Druckluftsystem ausgeführt werden.

Das Anschließen an das Druckluftnetz darf nur durch qualifiziertes Fachpersonal erfolgen. Die Temperatur und die in den Trockner eingelassene Luftmenge muss den in Tabelle 2.1 vorgegebenen Werten entsprechen.



Ein Überschreiten des zulässigen Drucks kann zur Verletzung des Bedieners und zu Schäden am Gerät führen. Der Benutzer muss die Verantwortung für die Folgen tragen, die sich aus dem Überschreiten des auf dem Typenschild des Trockners angegebenen Druckwert ergeben.

Wenn diese Einheit verwendet wird, muss das Druckluftsystem mit einem Vorfilter für die Reinigung der Druckluft von Öl (zulässiger Ölgehalt 0,01 mg/m²) und einem (Staub-)Austrittsfilter zum Schutz vor Adsorptionsmittelstaub ausgerüstet sein.

Für die Installation werden COMPRAG Filter der AF-Serie empfohlen.

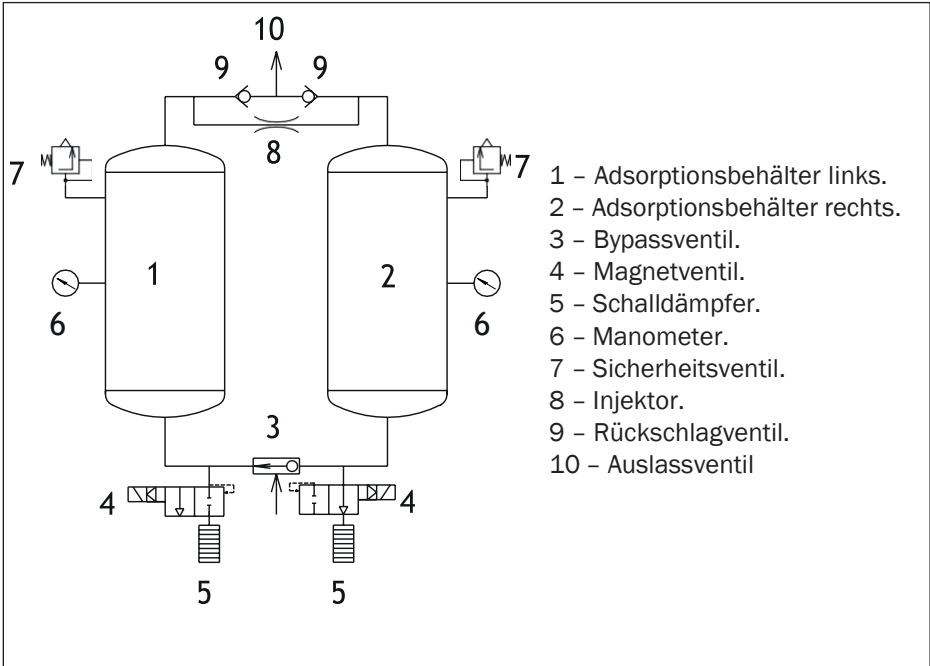
Zur Unterstützung bei der Auswahl des geeigneten Filters wenden Sie sich bitte an Ihren Händler.



Die Verwendung des Adsorptionstrockner ohne die angegebenen Filter kann dazu führen, dass das Adsorptionsmittel seine Gebrauchseigenschaften verliert oder dass das mit der Druckluft betriebene Gerät verstopft. Der Benutzer muss Filter installieren. In Fällen, bei denen solche Filter nicht verwendet werden, sind Ansprüche nicht durch die Garantie abgedeckt und bleiben unberücksichtigt.

Die Abmessungen und Leistungskenndaten der Schläuche und Ventile müssen dem Volumen und Druck der Druckluft entsprechen. Eine Unterschätzung kann zu einer Systemspannung führen und eine Verletzung des Bedieners und Schäden an der Ausstattung verursachen.

3.5 Druckluftschaltplan



3.6 Anschluss an die Spannungsversorgung und Elektroschaltplan

Abbildung 3.6.1 stellt einen Elektroschaltplan für Trockner dar.

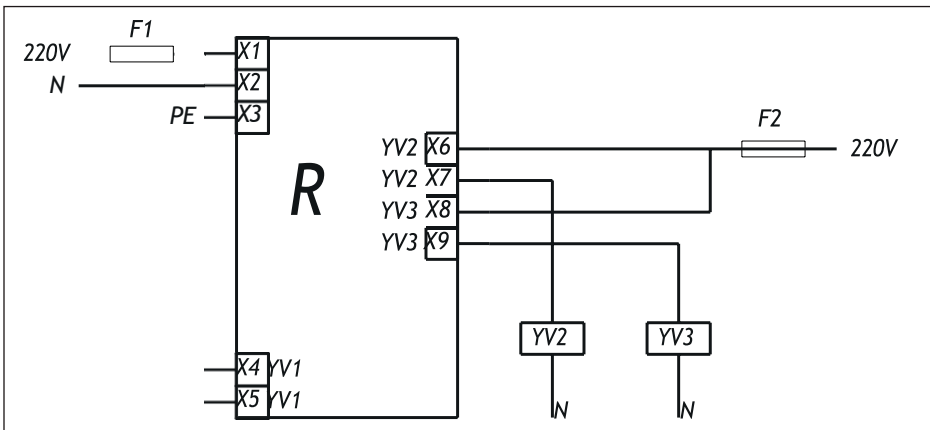


Abb.3.6.1. Elektroschaltplan

Nur qualifiziertes Personal darf das Gerät an die elektrische Spannungsversorgung anschließen. Stellen Sie vor dem Herstellen der Anschlüsse sicher, dass die Spannung und Frequenz des Spannungsversorgungsnetzes den Werten in Tabelle 2.1 entsprechen. Die zulässige Spannungsabweichung beträgt $\pm 10\%$.

4. Verwendung

4.1 Schalttafel

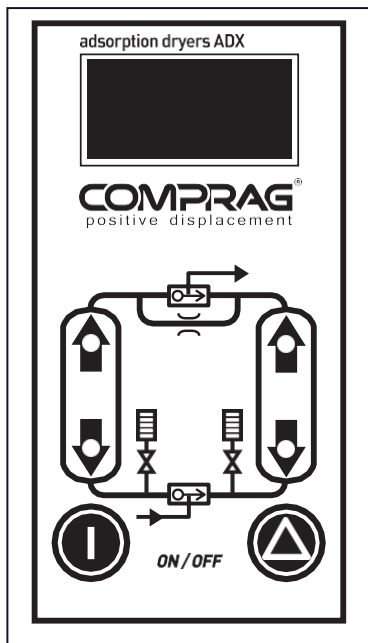


Abb. 4.1. Schalttafel

On/Off – (Ein/Aus) Das automatische Umschalten der Adsorptionsbehälter ein-/ausschalten.


Rote Anzeige leuchtet – Im Adsorptionsbehälter läuft der Trocknungsprozess ab.

Grüne Anzeige leuchtet – Im Adsorptionsbehälter läuft der Regenerationsprozess ab.

Die Anzeige zeigt die Zeit bis zum Umschalten des Zyklus an.

Solange die Schalttafel aktiv ist und keine Einstellungen erforderlich sind, wird der Trockner vollständig im Automatikmodus betrieben.

4.2 Das Gerät ein-/ausschalten

	<p>Stellen Sie sicher, dass die Betriebsparameter den in Tabelle 2.1 vorgegebenen Nennwerten entsprechen (Netzfrequenz und -spannung, Druck und Temperatur der Druckluft, Umgebungstemperatur usw.).</p>
---	--

Wenn das Gerät im Winter geliefert wird, lassen Sie das Gerät nach dem Auspacken für mindestens acht Stunden bei Raumtemperatur stehen, bevor Sie es einschalten. Dadurch wird sichergestellt, dass die Komponenten warm sind, sodass die Kondensatbildung vermieden wird.



Die Erstinbetriebnahme darf nur von qualifiziertem Fachpersonal vorgenommen werden. Der Benutzer ist alleine für den ordnungsgemäßen und sicheren Betrieb des Geräts verantwortlich.

Der Trockner wird durch Drücken der Taste ON (Ein) gestartet (siehe Abbildung 4.1). Er wird durch Drücken der Taste OFF (Aus) gestoppt.

Wenn der Trockner das erste Mal nach der Lieferung gestartet wird, ist die folgenden Ablaufschritte zu befolgen, um den erforderlichen Taupunkt zu erreichen.

- Schließen Sie den Trockner an das Druckluftsystem an.
- Schließen Sie das Auslassventil.
- Schalten Sie den Trockner ein und warten Sie nicht weniger als ~ 50 Schaltzyklen der Adsorptionsbehälter ab.

Das Gerät betriebsbereit.

Nach einer Betriebsunterbrechung des Trockners von mehr als zwölf Stunden wird empfohlen, den für die Erstinbetriebnahme des Trockners beschriebenen Ablauf zu wiederholen. Allerdings sind nur zwei Schaltzyklen der Adsorptionsbehälter abzuwarten.



Der Trockner darf im ausgeschalteten Zustand nicht verwendet werden. Die Trocknungseigenschaften des Adsorptionsmittels werden dadurch zwangsläufig vermindert.

5. Einstellung und Wartung

5.1 Einstellung für bestimmte Betriebsbedingungen

Zum Standardlieferungsumfang des Trockners gehört eine Injektor für Betriebsbedingungen mit einer Eintrittstemperatur von +35 °C und einem Druck (am Manometer) von 8 bar. Ebenfalls mitgeliefert wird ein zusätzlicher Injektor für einen Druck von 10 bar.



Für den Betrieb des Trockners unter anderen Betriebsbedingungen oder mit einem anderen Taupunkt sind zusätzliche Injektoren zu erwerben. Dies ist zur Sicherstellung einer genauen Messung des getrockneten Luftdurchflusses erforderlich.

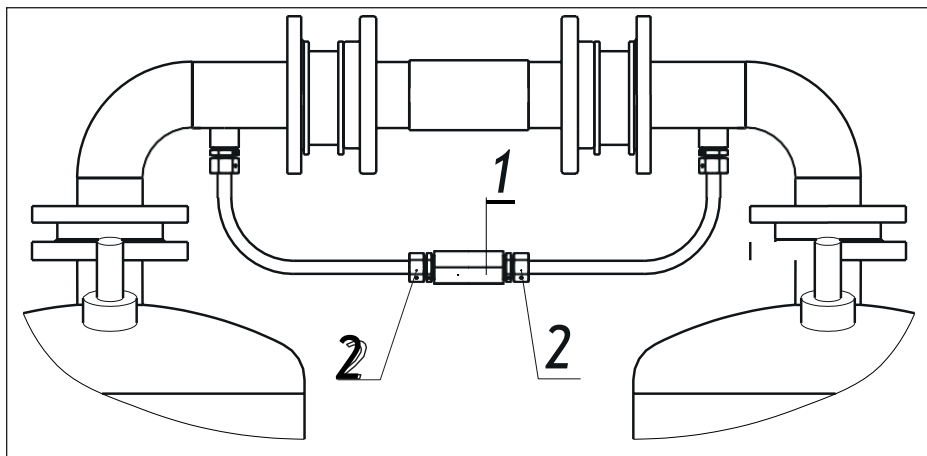


Abb.5.1

Um den Injektor (1) auszutauschen, lösen Sie die Verschraubungen (2). Stellen Sie sicher, dass die Anschlüsse nach dem Austauschen hermetisch angezogen sind.

5.2 Prüfen während des Betriebs

Das Wechseln der Zyklen und die Manometeranzeigen müssen täglich überwacht werden.

Einmal monatlich müssen die in Abbildung 3.5 dargestellten Injektoren (8) und Schalldämpfer (5) zur Inspektion zerlegt und bei Bedarf von Öl und Staub gereinigt werden.



Wenn diese Vorgänge nicht ausgeführt werden, dann können Störungen der ordnungsgemäßen Trocknerfunktion auftreten und zu einer merklichen Verschlechterung der Luftqualität am Trockneraustritt führen.

5.3 Austauschen des Adsorptionsmittels



Die verschlechterte Adsorptionsmittelqualität kann zu einer verminderten Trocknerleistung führen. Wenn Sie keine Möglichkeit zur Qualitätsüberwachung der getrockneten Luft haben, dann müssen Sie das Adsorptionsmittel alle 3 Jahre austauschen.

Unter Standardbedingungen, für die der Adsorptionstrockner ausgelegt ist, hat das Adsorptionsmittel eine Standzeit von mindestens drei Jahren, bevor es seine Feuchtigkeit adsorbiert.

renden Eigenschaften verliert.

Für den Austausch des Trocknungsmittels sind die folgenden Schritte auszuführen:

- Stellen Sie sicher, dass die Adsorptionsbehälter drucklos sind und trennen Sie den Trockner vom System.
- Schrauben Sie den Entleerungsstopfen ab.
- Entfernen Sie das Adsorptionsmittel vollständig aus den Adsorptionsbehältern.
- Schrauben Sie den Entleerungsstopfen auf.
- Schrauben Sie den Einfüllstopfen ab.
- Füllen Sie beide Adsorptionsbehälter mit Originaladsorptionsmittel gemäß Tabelle 2.1.
- Schrauben Sie den Einfüllstopfen auf.
- Führen Sie das Inbetriebnahmeverfahren wie für die Erstinbetriebnahme gemäß Punkt 4.2 aus.

6. Fehlerbehandlung

6.1 Mögliche Fehler

Fehler	Mögliche Ursache	Lösung
Der Trockner startet nicht.	Es liegt keine elektrische Spannung an.	Zu überprüfen sind die Netzversorgungsspannung, der Zustand der Sicherungen und der Hauptschalter.
	Ausfall der Elektronikleiterplatte.	Elektronikleiterplatte austauschen.
Spülluft tritt nicht aus.	Ausfall der Magnetventils.	Signalausgang zu den Magnetventilen überprüfen. Bei Bedarf austauschen.
	Ausfall der Elektronikleiterplatte.	Elektronikleiterplatte austauschen.
	Injektor / Schalldämpfer verstopft.	Injektor / Schalldämpfer entfernen. Mit Druckluft spülen. Bei Bedarf austauschen.
Die Luft tritt in sehr kleinen Mengen aus.	Injektor / Schalldämpfer verstopft.	Injektor / Schalldämpfer entfernen. Verunreinigungen / Öl / Staub entfernen.
Es finden keine Änderungen der Adsorptionsbehälterzyklen statt.	Die Funktion der Magnetventile überprüfen.	Signalausgang zu den Magnetventilen überprüfen. Bei Bedarf austauschen.
	Es liegt keine elektrische Spannung an.	Zu überprüfen sind die Netzversorgungsspannung, der Zustand der Sicherungen und der Hauptschalter.
	Ausfall der Elektronikleiterplatte.	Elektronikleiterplatte austauschen.
	Mechanisches Problem im Einlassventil.	Einlassventil entfernen und freies Spiel der Bypassunterlegscheibe überprüfen.

Vorhandensein von Kondensat in der Rohrleitung.	Die Zuluftmenge ist zu hoch.	Die Konformität der Betriebsbedingungen mit den Anforderungen der technischen Dokumentation überprüfen.
	Niedriger Luftdruck am Eintritt.	
	Hohe Lufttemperatur am Eintritt.	
	Es finden keine Änderungen der Adsorptionsbehälterzyklen statt. Ungenügende Spülluftversorgung. Druck im Adsorptionsbehälter während des Regenerationsmodus (maximal zulässiger Druck P _{max} ist 0,05 MPa).	Alle zuvor genannten Methoden der Fehlerbehandlung durchschauen.
	Standzeit des Adsorptionsmittels.	Austauschen des Adsorptionsmittels.

7. Lagerung und Entsorgung


7.1 Lagerung der Trockner

Die Umgebungsbedingungen für die Lagerung der Trockner sind wie folgt: Temperatur zwischen -10° und +45° N sowie bei max. 75% relative Feuchte. Das Auftreten von Niederschlag am Lagerort muss ausgeschlossen sein.

7.2. Entsorgung

Für die Zerlegung des Trockners zur Entsorgung wird empfohlen, die Komponenten nach Werkstoffen zu trennen. Für das Recycling wird empfohlen, den Sicherheitsanweisungen für die einzelnen Werkstoffe zu folgen.

Dem Recycling des Adsorptionsmittels ist besondere Aufmerksamkeit zu widmen.

	Lassen Sie kein Adsorptionsmittel in die Umwelt gelangen!
---	---

Das Adsorptionsmittel enthält Ölpartikel aus dem Kompressor.

Lassen Sie kein Adsorptionsmittel in die Umwelt gelangen. Entfernen Sie es gemäß Punkt 5.3 aus dem Trockner und führen Sie es dem Recycling zu.

© 2016 Comprag ®. Все права защищены.

Перепечатка текста и / или использование графики, допускается только с письменного разрешения Comprag®.

Производитель оставляет за собой право без уведомления потребителя вносить изменения в конструкцию изделий для улучшения их технологических и эксплуатационных параметров.

Вид изделий может незначительно отличаться от представленных на изображениях.

Содержание

	Стр.
1. Правила техники безопасности	41
1.1 Символы, использованные в инструкции	41
1.2 Общие меры безопасности	41
1.3 Меры безопасности при вводе в эксплуатацию	42
1.4 Меры безопасности при эксплуатации	43
1.5 Меры безопасности при обслуживании и ремонте	44
2. Устройство и принцип работы	45
2.1 Технические данные	45
2.2 Назначение	46
2.3 Принцип работы	46
2.4 Поправочные коэффициенты для расчета производительности	47
3. Ввод в эксплуатацию	48
3.1 Такелажные работы	48
3.2 Габаритные размеры	49
3.3 Подготовка помещения	49
3.4 Подсоединения к линии сжатого воздуха	49
3.5 Пневмосхема	50
3.6 Подключение к электропитанию и эл. схема	51
4. Эксплуатация	51
4.1 Панель управления	51
4.2 Включение/выключение оборудования	52
5. Настройка и сервисное обслуживание	52
5.1 Настройка под конкретные условия работы	52
5.2 Периодические проверки	53
5.3 Замена адсорбента	53
6. Устранение неисправностей	54
6.1 Возможные неисправности	54
7. Хранение и утилизация	55
7. 1 Хранение	55
7. 2 Утилизация	55

	Внимательно ознакомьтесь с технической документацией, инструкцией по эксплуатации и правилам техники безопасности. Большинство несчастных случаев при эксплуатации компрессорной техники происходит из-за несоблюдения правил безопасности. Не допускайте возникновения опасных ситуаций и соблюдайте соответствующие правила техники безопасности.
--	---

	Производитель оставляет за собой право вносить изменения в конструкцию изделия без предварительного уведомления.
--	--

1. Правила техники безопасности

1.1 Символы, используемые в инструкции

	Опасно для жизни.
	Предупреждение.
	Внимание.

1.2 Общие правила безопасности

	Вся ответственность за травмы или повреждения, полученные вследствие несоблюдения правил техники безопасности при установке, эксплуатации или обслуживанию, а также при несанкционированном использовании данного оборудования, возлагается на потребителя!
--	---

1. Оператор должен неукоснительно соблюдать правила техники безопасности, предусмотренные этими инструкциями и местным законодательством!
2. При сравнении данных правил безопасности с правилами местного законодательства, необходимо выбирать те, которые предъявляют более жёсткие требования!

3. К эксплуатации, техническому обслуживанию и ремонту оборудования Comprag допускается только обученный обслуживающий персонал с соответствующей степенью профессиональной подготовки!
4. Сжатый воздух непосредственно после компрессора может содержать масла и углекислый газ и не является пригодным для дыхания! Необходимо провести очистку сжатого воздуха до класса чистоты воздуха пригодного для дыхания, соответствующего нормам местного законодательства!
5. Сжатый воздух – источник энергии высокой степени опасности. Запрещается использование сжатого воздуха не по назначению! Не применяйте его для чистки одежды и обуви, не направляйте рукава сжатого воздуха в сторону людей и животных! При использовании воздуха для чистки оборудования, делайте это с особой осторожностью с применением защитных очков!
6. Все работы по техническому обслуживанию, ремонту, настройке, монтажу и т.п. должны производиться при выключенном оборудовании, с отключенным от сети кабелем питания, с отсоединенными от изделия рукавами сжатого воздуха, работы необходимо проводить в защитных очках! Убедитесь, что оборудования отключено от сети сжатого воздуха и не находится под давлением!

1.3 Меры безопасности при вводе в эксплуатацию



Вся ответственность за травмы или повреждения, полученные вследствие несоблюдения правил техники безопасности при установке, эксплуатации или обслуживанию, а также при несанкционированном использовании данного оборудования, возлагается на потребителя!

1. Разгрузка/погрузка оборудования должна проводиться только при помощи соответствующих приспособлений или подъёмных механизмов. Ручной подъём и перемещение запрещены. Не оставляйте оборудование в подвешенном состоянии. При разгрузочных работах используйте каску.
2. Разместите изделие в сухом и чистом помещении, исключаяющим прямого воздействия атмосферных осадков. Помещение должно хорошо проветриваться; при необходимости обеспечьте принудительной вентиляцией.
3. Запрещается использовать изношенные, поврежденные или испорченные рукава сжатого воздуха. Убедитесь, что рукава по номинальному диаметру и рабочему давлению соответствуют данному оборудованию.
4. При использовании в системе нескольких компрессорных станций, каждый компрессор должен предполагать наличие ручного крана для возможности отсечения любого из них в случае возникновения внештатных ситуаций.
5. Не допускается наличие в атмосферном воздухе взрыво- и пожароопасных примесей, таких как: пары растворителей, углеродная пыль и т.п.
6. Обеспечьте свободный доступ к рукаву сжатого воздуха из компрессора. Не захламывайте его, не храните в непосредственной близости легковоспламеняющиеся материалы.
7. Не пережимайте, не деформируйте подводные рукава сжатого воздуха.

8. Обеспечьте хорошее проветривание помещения.
9. Оборудование должно быть заземлено. Обеспечьте защиту от короткого замыкания. Пусковой рубильник должен находиться в непосредственной близости от оборудования и иметь защиту от несанкционированного запуска.



Потребитель несет полную ответственность за соответствие условий эксплуатации электрического двигателя, установленного в оборудовании. Эксплуатация оборудования без защитной аппаратуры не допускается. Защитная аппаратура должна обеспечивать защиту электрического двигателя от коротких замыканий, перегрузок (систематической и пусковой) и неполнофазных режимов. Установка защитной аппаратуры является обязанностью потребителя.

10. Любые ёмкости и сосуды, работающие под давлением, должны быть оборудованы предохранительными клапанами! Запрещается любой несанкционированный монтаж, демонтаж или настройка прилагаемых предохранительных клапанов.

1.4 Меры безопасности при эксплуатации



Вся ответственность за травмы или повреждения, полученные вследствие несоблюдения правил техники безопасности при установке, эксплуатации или обслуживанию, а также при несанкционированном использовании данного оборудования, возлагается на потребителя!

1. Убедитесь, что рукава по номинальному диаметру и рабочему давлению соответствуют данному оборудованию. Перед запуском проверьте крепление каждого соединения рукава. Не полностью закреплённый рукав может стать причиной серьёзных травм!
2. Никогда не включайте оборудование, если есть подозрение на наличие в атмосферном воздухе легковоспламеняющихся примесей!
3. Оператору запрещается работать с оборудованием, если он утомлен, находится под воздействием алкоголя, наркотических средств или лекарственных препаратов, вызывающих замедленную реакцию организма.
4. Запрещается работа оборудования с демонтированными элементами..
5. Периодически проверяйте:
 - наличие на своих местах предохранительных устройств и их крепление;
 - исправность и герметичность всех рукавов и трубопроводов;
 - отсутствие утечек;
 - затяжки крепёжных элементов и элементов конструкции;
 - все электрические кабели и контакты на исправность и безопасность;
 - работоспособность предохранительных устройств, наличие грязи и т.п.;
 - все элементы конструкции находятся в рабочем состоянии, без износа.

1.5 Меры безопасности при обслуживании и ремонте



Вся ответственность за травмы или повреждения, полученные вследствие несоблюдения правил техники безопасности, при установке, эксплуатации или обслуживанию, а также при несанкционированном использовании данного оборудования, возлагается на потребителя!

1. Разрешается использовать только оригинальные запасные части и вспомогательные принадлежности. Использование запчастей других производителей может привести к непредсказуемым последствиям и, как результат, к несчастным случаям.
2. При проведении монтажных и ремонтных работ всегда используйте защитные очки!
3. Перед подключением или отключением оборудования отсоедините его от основной пневмосети. Убедитесь в отсутствии давления в рукавах!
4. Перед началом монтажных или прочих работ, убедитесь, что оборудование не нагружено давлением. Монтажные работы с оборудованием под давлением запрещены!
5. Все работы по техническому обслуживанию должны проводиться только тогда, когда температура элементов конструкции упадёт до комнатной.
6. Никогда не используйте для чистки элементов конструкции легковоспламеняющиеся растворители или тетрахлорид углерода. При протирке примите меры предосторожности против ядовитых паров чистящих жидкостей.
7. При проведении монтажных и ремонтных работ необходимо закрепить на панель управления информационную табличку для предотвращения от несанкционированного запуска. Например, «Не включать. Работают люди!»
8. Содержите помещение, в котором установлено оборудование, в чистоте. Открытые входные и выходные отверстия во время монтажа закрывайте сухой ветошью или бумагой, во избежание попадания мусора в оборудование.
9. Запрещается проводить сварные и прочие подобные работы непосредственно вблизи данного оборудования, а также сосудов, работающих под давлением.
10. При малейшем подозрении на перегрев, воспламенение или другую внештатную ситуацию выключите оборудование. Незамедительно обесточьте его. Не открывайте двери оборудования до тех пор, пока температура не упадёт до комнатной во избежание получения ожога или травмы.
11. Запрещается использование источников света с открытым пламенем для осмотра и ревизии оборудования.
12. Никогда не используйте едкие растворители, которые могут повредить материалы пневмосети.
13. После проведения монтажных и прочих работ убедитесь, что внутри не осталось инструмента, ветоши, запасных частей и т.п.
14. Особое внимание стоит уделять предохранительным клапанам. Тщательно следите за ними, вовремя удаляйте пыль и грязь. Ни при каких условиях они не должны утратить

свой функционал. Помните, от их работы зависит Ваша безопасность!

15. Перед началом работы в штатном режиме после технического обслуживания или ремонта, проверьте, что рабочее давление, температура и прочие характеристики выставлены правильно. Убедитесь, что все управляющие и контролирующие устройства установлены и функционируют верно.

16. При замене фильтров, сепараторов и т.п., протрите сухой ветошью места их крепления от пыли, грязи, остатков масла.

17. Никогда не вдыхайте пыль оксида алюминия. Убедитесь, что рабочая зона надлежащим образом вентилируется; если необходимо, используйте респиратор.

18. Используйте защитные перчатки во время монтажных и ремонтных работ.

2. Устройство и принцип работы



Несоблюдение данных инструкций, использование неоригинальных запчастей, отсутствие гарантийного талона может привести к прекращению действия гарантии.

2.1 Технические данные

Основные характеристики адсорбционных осушителей COMPRAG с холодной регенерацией представлены ниже:

Модель	ADX20	ADX30	ADX40	ADX50	ADX70
Артикул	14400050	14400051	14400052	14400053	14400054
Расход воздуха*, (мЗ/мин)	2,0	3,0	4,0	5,0	7,0
Макс. рабочее давление, Бар	10				
Макс. температура сжатого воздуха на входе в осушитель, °C	+55				
Min/Max температура окружающей среды, °C	+5/+45				
Температура точки росы, °C	-40				
Напряжение (фаз/В/Гц)	1/220/50				
Тип адсорбента	Оксид алюминия				
Количество адсорбента, кг	30	45	60	75	105
Резьбовое соединение, Вход / Выход	G1'		G1 1/4'		G1 1/2'
Модель	ADX90	ADX125	ADX160	ADX200	ADX250
Артикул	14400055	14400056	14400057	14400058	14400059

Расход воздуха*, (м ³ /мин)	9,0	12,5	16	20	25
Макс. рабочее давление, Бар	10				
Макс. температура сжатого воздуха на входе в осушитель, °С	+55				
Min/Max температура окружающей среды, °С	+5/+45				
Температура точки росы, °С	-40				
Напряжение (фаз/В/Гц)	1/220/50				
Тип адсорбента	Оксид алюминия				
Количество адсорбента, кг	135	190	240	300	375
Резьбовое соединение, Вход / Выход	G1 1/2'	G2 1/2' / G2'		G3' / G2 1/2'	

* Смотри пункт 2.4

22 Назначение

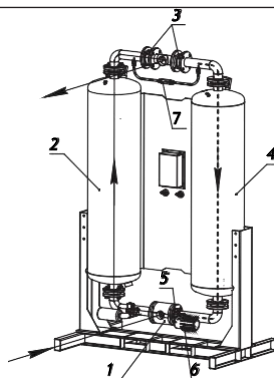
Осушитель предназначен для осушения сжатого воздуха, используемого в промышленных целях. Запрещается использовать осушитель в помещениях, в которых существует опасность пожаров или взрывов, или проводятся работы, в ходе которых выделяются вещества, представляющие угрозу в плане пожарной безопасности (растворители, воспламеняющиеся пары, спирты и т.д.). В частности, запрещается использовать осушитель для производства воздуха, предназначенного для дыхания. Подобное использование допускается, если провести очистку сжатого воздуха до класса чистоты воздуха пригодного для дыхания, соответствующего нормам местного законодательства!

Оборудование должно использоваться только по назначению. Использование оборудования для других целей считается неправильным и необоснованным. Производитель не несет ответственности за любой ущерб, причиненный в результате неправильного или необоснованного использования оборудования.

23 Принцип работы

1. Клапан перепускной
2. Колонна правая
3. Клапан обратный
4. Колонна левая
5. Клапан электромагнитный (PV)
6. Глушитель
7. Форсунка

----- Воздух для осушки
 ————— Осушаемый воздух



Циклограмма открытия и закрытия электромагнитных пневматических клапанов (PV) 5.

PV4					
PV2					
ADK 20 - ADK 90	15сек	270сек	30пачеёк	270сек	30пачеёк
ADK 125 - ADK 250	30сек	240сек	60пачеёк	240сек	60пачеёк
Delay	A		B	C	D

PV4 – электромагнитный клапан левой колонны

PV2 – электромагнитный клапан правой колонны

Во время запуска оба электромагнитных клапана PV2 и PV4 закрыты.

Фаза А. Электромагнитный клапан PV2 срабатывает и в колонне 2 снижается давление до атмосферного. Перепускной клапан 1 переключается на закрытие колонны 2 (так как в этой колонне нет давления).

Входной поток сжатого воздуха направляется в колонну 4, в которой адсорбирующий материал поглощает влагу до необходимого параметра.

Через форсунку 7 часть сухого воздуха переходит из колонны 4 в колонну 2, где происходит его расширение. Поступающий воздух (осушенный и расширенный), проходя через колонну 2, осушает адсорбирующий материал; влага выбрасывается в атмосферу через электромагнитный клапан PV2 и глушитель 6. В конце фазы адсорбирующий материал в колонне 2 полностью регенерируется.

Фаза В. Закрывается электромагнитный клапан PV2, после чего через форсунку 7 в колонне 2 вновь повышается давление до рабочего уровня.

Фаза С. Электромагнитный клапан PV4 срабатывает и в колонне 4 снижается давление до атмосферного. Перепускной клапан 1 переключается на закрытие колонны 4 (так как в этой колонне нет давления).

Входной поток сжатого воздуха направляется в колонну 2, в которой адсорбирующий материал поглощает влагу до необходимого параметра.

Через форсунку 7 часть сухого воздуха переходит из колонны 2 в колонну 4, где происходит его расширение. Поступающий воздух (осушенный и расширенный), проходя через колонну 4, осушает адсорбирующий материал; влага выбрасывается в атмосферу через электромагнитный клапан PV4 и глушитель 6. В конце фазы адсорбирующий материал в колонне 4 полностью регенерируется.

Фаза D. Закрывается электромагнитный клапан PV4, после чего через форсунку 7 в колонне 4 вновь повышается давление до рабочего уровня.

2.4 Поправочные коэффициенты для пересчёта производительности.

Все расчёты при проектировании и изготовлении осушителей приводятся к номинальным (стандартным) условиям. Согласно ISO 7183 таковыми являются: рабочее

давление 7 Бар, температура сжатого воздуха на входе в осушитель +35 °С. То есть, при подборе осушителя требуется использование поправочных коэффициентов, учитывающих разницу между номинальными и реальными условиями.

Рабочее давление, Бар	4	5	6	7	8	9	10
Коэффициент F1	0,6	0,75	0,88	1,00	1,1	1,17	1,25

Поправочный коэффициент в зависимости от температуры сжатого воздуха на входе							
Температура воздуха на входе, °С	+25	+30	+35	+40	+45	+50	
Коэффициент F2	1,15	1,1	1,00	0,91	0,84	0,79	

Используя, при расчёте требуемого осушителя, данные коэффициенты, получаем, что реальная производительность Р будет равна: $P = P_{\text{номинальная}} / (F1 \times F2)$.



При подборе адсорбционного осушителя всегда помните, что расход воздуха на регенерацию составляет не менее 15%.

3. Ввод в эксплуатацию

3.1 Такелажные работы

Проверьте визуально отсутствие повреждения упаковки, если повреждений нет, поставьте блок рядом с выбранным местом монтажа и распакуйте. Перемещение оборудования должно проводиться только при помощи соответствующих приспособлений или подъёмных механизмов. Ручной подъём и перемещение запрещены. Даже в упаковке, держите оборудование в защищенном от воздействия погодных явлений месте.

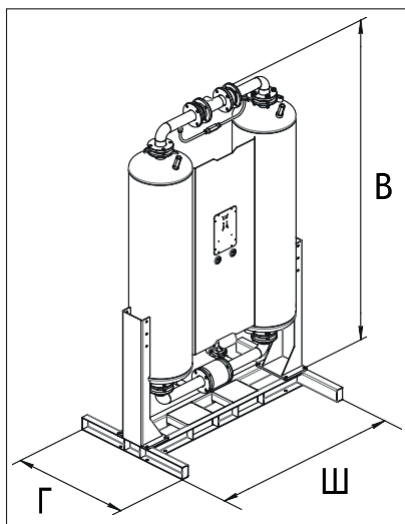
Обращаться с осторожностью. Сильные удары (толчки, падение) могут нанести непоправимый ущерб.



Присутствие на изделии вмятин, сколов и прочих повреждений может привести к прекращению действия гарантии.

3.2 Габаритные размеры

Внешний вид осушителя показан на рисунке 3.2.



Модель	Осушитель			
	Высота В, мм	Ширина Ш, мм	Глубина Г, мм	Масса, кг
ADX20	1220	800	600	90
ADX30	1500			111
ADX40	1850		800	175
ADX50	2130			205
ADX70	1820	250		
ADX90	2120	955	1000	310
ADX125	2335	1275		496
ADX160	2325	1335		565
ADX200	2330	1435		720
ADX250	2645		805	

3.3 Подготовка помещения



Размещение осушителя в ненадлежащих окружающих условиях может привести к потере его работоспособности вследствие сверхвысоких нагрузок. Такие ситуации не являются гарантийным случаем.

Минимальные требования для установки:

- Выберите чистое не запылённое и сухое помещение, защищённое от атмосферных явлений.
- В помещении пол должен быть ровный, горизонтальный и выдерживать вес осушителя.
- Минимальная температура окружающей среды +5 °С.
- Максимальная температура окружающей среды +45 °С
- Со всех сторон осушителя должен быть свободный проход технического обслуживания.

3.4 Подсоединения к линии сжатого воздуха

Все работы по подключению компрессорного оборудования должны проводиться при отсутствии давления в пневмосети.

Операции по подключению к линии сжатого воздуха должны производиться только квалифицированным специалистом. Температура и количество поступающего воздуха в осушитель должны соответствовать указанным значениям таблицы 2.1.



Превышение допустимого давления может стать причиной травм оператора и повреждений оборудования. Потребитель несет ответственность за последствия превышения давления сверх значения, указанного на идентификационной табличке осушителя.

При использовании данного изделия пневмосеть должна быть оборудована фильтром предварительной очистки сжатого воздуха от масла (0,01мг/м³ допустимое содержание масла) и выходным (пылевым) фильтром для защиты от адсорбентной пыли.

Рекомендуем установку фильтров Comprag серии AF.

Для подбора нужного фильтра обратитесь в диллерский центр.



Эксплуатация адсорбционного осушителя без указанных фильтров может привести к утрате адсорбентом своих функциональных характеристик или возможному засорению им оборудования, потребляющего сжатый воздух. Установка фильтров является обязательным для потребителя. Рекламации при их отсутствии не являются гарантийным случаем и не рассматриваются.

Размеры и рабочие характеристики рукавов и арматуры должны соответствовать количеству и давлению подаваемого воздуха. Занижение может привести к разгерметизации системы и стать причиной травм оператора и повреждений оборудования.

3.5 Пневмосхема



3.6 Подключение к электропитанию и эл. схема

На рисунке 3.6.1 изображена схема электрическая принципиальная на осушителе

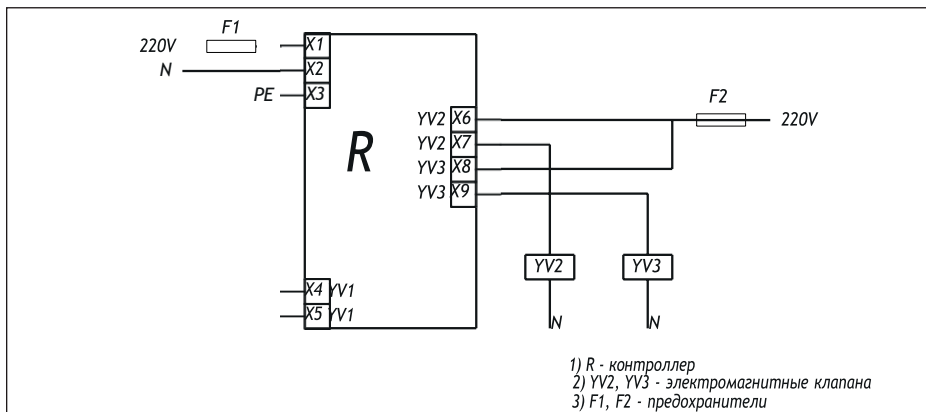


Рис. 3.6.1. Схема электрическая принципиальная

Только квалифицированный персонал должен выполнять соединение оборудования к силовому электропитанию. Перед выполнением соединений необходимо убедиться, что напряжение и частота в электросети соответствуют значениям в таблице 2.1. Допустимое отклонение напряжения составляет $\pm 10\%$.

4. Эксплуатация

4.1 Панель управления

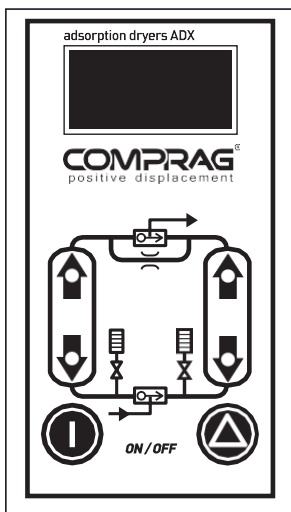


Рис. 4.1. Панель управления

On/Off – включение/выключение автоматической смены колонн.

Горит красный индикатор – происходит процесс осушки в колонне.

Горит зеленый индикатор – происходит процесс регенерации в колонне.

На экране указано время до смены цикла.

Осушитель работает полностью в автономном режиме с точки зрения панели управления и не требует никаких настроек.

4.2 Включение/выключение оборудования



Убедитесь, что рабочие параметры соответствуют номинальным значениям, указанным в таблице 2.1 (частота и напряжение питания, давление и температура сжатого воздуха, температура окружающей среды и т.д.)

Если доставка оборудования проводилась в зимний период, после вскрытия упаковки перед первым включением выдержите не менее 8 часов при комнатной температуре для нагрева компонентов оборудования и во избежание выпадения конденсата.



Первый запуск должен производить только квалифицированный специалист. Пользователь полностью отвечает за правильную и безопасную эксплуатацию оборудования.

Пуск осушителя производится нажатием кнопки ON (см. рисунки 4.1.). Остановка производится нажатием кнопки OFF.

При первом пуске осушителя после доставки, для достижения необходимой точки росы, необходимо выполнить следующие процедуры:

- подключите осушитель к пневмосети;
- закройте выходную арматуру;
- включите осушитель.

Осушитель должен регенерироваться на протяжении около 6 часов (~50 циклов) без выхода сжатого воздуха в пневмосеть для достижения требуемых характеристик воздуха. После перерыва в работе осушителя около 8-10 часов рекомендуется повторить процедуры, описанные для первого включения осушителя, но при этом достаточно провести 2 цикла смены колонн.



Использование осушителя в выключенном состоянии запрещено. Это приведет к неизбежной порчи осушающих свойств адсорбента.

5. Настройка и сервисное обслуживание

5.1 Настройка под конкретные условия работы

По умолчанию осушитель поставляется с форсункой для работы в условиях с температурой входа +35 и давлением (на манометре) 8 бар. В комплекте идет дополнительная форсунка для давления 10 бар.



Для эксплуатации осушителя при иных рабочих условиях или другой точки росы, необходимо приобрести дополнительные форсунки. Это сделано для точного дозирования расхода осушенного воздуха.

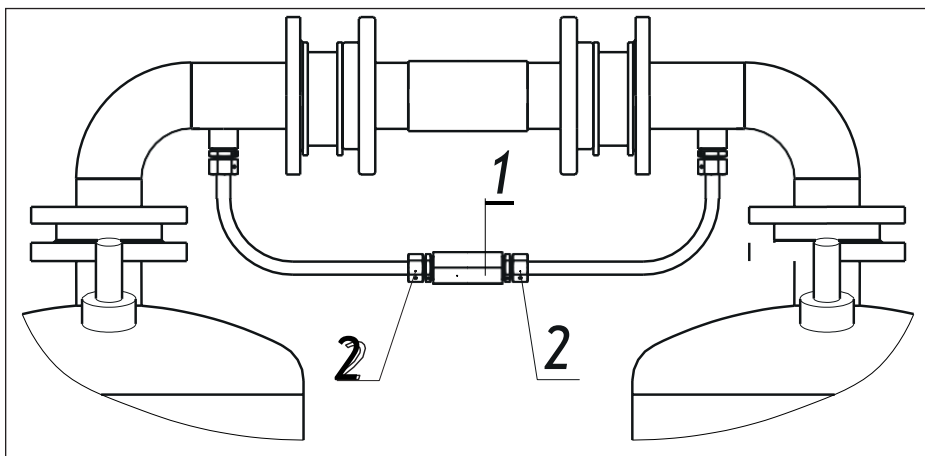


Рис. 5.1

Для замены форсунки (1), необходимо открутить фитинги (2). После замены обеспечьте герметичность соединений.

5.2 Периодические проверки

В ежедневном порядке проводить контроль за сменой циклов и показаний манометров.

Раз в месяц демонтировать, форсунку 8, глушитель 5, указанные на рисунке 3.5, для осмотра и при необходимости очистки от попадания масла и пыли.



Если не проводить этих процедур, может быть нарушена правильная работа осушителя, что приведет к заметному ухудшению качества воздуха на выходе из осушителя

5.3 Замена адсорбента



Старение адсорбента приведет к снижению эксплуатационных свойств осушителя. Если у Вас нет возможности проконтролировать качество осушенного воздуха, то замена адсорбента должна производиться каждые 3 года

В нормальных условиях, для которых спроектирован адсорбционный осушитель, адсорбент имеет срок службы не менее 3 лет, прежде чем его он утратит свои влагопоглощающие свойства.

Для замены осушителя необходимо:

- Убедиться, что давление в колоннах отсутствует, отключить осушитель из сети
- Открутить сыпную пробку
- Полностью извлечь адсорбент из колонн.
- Закрутить сыпную пробку.
- Открутить засыпную пробку
- Заполнить обе колонны оригинальным адсорбирующим веществом согласно таблице 2.1
- Закрутить засыпную пробку
- Провести процедуру ввода в эксплуатацию, соответствующую первому пуску осушителя, согласно пункту 4.2.

6. Устранение неисправностей

6.1 Возможные неисправности

Неисправность	Возможная причина	Способ устранения
Осушитель не запускается	Отсутствие электрического напряжения.	Проверить напряжение линии электропитания, состояние плавких предохранителей и главного выключателя.
	Выход из строя электронной платы.	Заменить электронную плату
Не выходит продувочный воздух.	Выход из строя электромагнитного клапана.	Проверить наличие сигналов, выдаваемых на электромагнитные клапаны. При необходимости заменить.
	Выход из строя электронной платы.	Заменить электронную плату.
	Засорена форсунка / глушитель.	Снять форсунку / глушитель. Продуть сжатым воздухом. При необходимости заменить.
Воздух выходит в очень малых количествах.	Засорена форсунка / глушитель.	Снять форсунку / глушитель. Очистить от грязи / масла / пыли.
Не происходит смена циклов колонн.	Проверить работоспособность электромагнитных клапанов.	Проверить наличие сигналов, выдаваемых на электромагнитные клапаны. При необходимости заменить.
	Отсутствие электрического напряжения.	Проверить напряжение линии электропитания, состояние плавких предохранителей и главного выключателя.
	Выход из строя электронной платы.	Заменить электронную плату.
	Механическая проблема во впускной арматуре.	Снять впускную арматуру проверить свободный ход перепускной шайбы.

Наличие конденсата в трубопроводе	Слишком велика подача воздуха.	Проверить условия эксплуатации на соответствие их требованиям технической документации
	Низкое давление воздуха на входе.	
	Высокая температура воздуха на входе.	
	Не происходит смена циклов колонн. Недостаточная подача продувочного воздуха. Наличие давления в колонне, находящейся в режиме регенерации (максимально допустимое давление $P_{\text{макс}}$ составляет 0,05 МПа).	Смотреть все вышеописанные способы устранения неисправностей.
	Срок эксплуатации адсорбента	Замена адсорбента

7. Хранение и утилизация

7.1 Хранение осушителей

Хранение осушителей допускается в сухом помещении при температуре от -10° до $+45^{\circ}\text{C}$ и при относительной влажности не более 75%. В помещении должна быть исключена возможность выпадения атмосферных осадков.

7.2 . Утилизация

При демонтаже осушителя на утилизацию, рекомендуется распределить детали по типу материалов. Рекомендуется следовать правилам безопасности при переработке каждого отдельного материала.

Особое внимание требуется уделить утилизации адсорбента.

	Выброс адсорбента в окружающую среду запрещён!
---	---

В адсорбенте присутствуют частички масла от компрессора.

Не сбрасывать адсорбент в окружающую среду. Извлеките его из осушителя, согласно пункту 5.3 и сдайте в центр по его переработке.

